

# TECHNICAL INFORMATION



## CATHODE RAY TUBE

## CK1415P-

The CK1415P- is a 12-inch diagonal, rectangular face, electrostatic focus and magnetic deflection cathode-ray tube for monitor use in closed-circuit television, industrial and business equipment. A particular feature of this tube is a high-resolution electron gun which gives smaller spot size, improved spot shape, and greater resolution than heretofore available. Sharp focus is obtainable over the entire picture area. The fluorescent screen is aluminized to improve picture contrast and brightness. A 50% transmission faceplate is utilized to further enhance contrast in high ambient light locations.

### ELECTRICAL DATA

Heater Voltage . . . . .	6.3 Volts
Heater Current . . . . .	0.6 ± 10% Amperes
Focusing Method . . . . .	Electrostatic
Deflecting Method . . . . .	Magnetic
Deflection Angle, approximate . . . . .	70 Degrees
Direct Interelectrode Capacitances, approximate	
Cathode to all other electrodes . . . . .	8.5 uuf
Grid No. 1 to all other electrodes . . . . .	10.0 uuf

### MAXIMUM RATINGS

Anode Voltage (See Note 1) . . . . .	18,000 Max. Volts
Focus Electrode Voltage . . . . .	800 Max. Volts
Grid No. 2 Voltage . . . . .	800 Max. Volts
Grid No. 1 Voltage:	
Negative Bias Value . . . . .	180 Max. Volts
Positive Bias Value . . . . .	0 Max. Volts

### OPTICAL DATA

Screen . . . . .	P31 Aluminized
Fluorescence . . . . .	Green
Persistence . . . . .	Medium

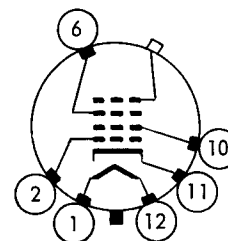
(This type is offered with any available phosphor desired)



### MECHANICAL DATA

BASING. . . . . JEDEC 12L  
 MOUNTING POSITION . . . Any  
 OVERALL LENGTH 17" ±3/8"  
 Inches Max.  
 BULB CONTACT Recessed Small  
 Cavity Cap, JEDEC No. J1-21

### BASING



### BOTTOM VIEW

### TERMINAL CONNECTIONS:

- Pin 1 Heater
- Pin 2 Grid #1
- Pin 6 Focus
- Pin 10 Grid #2
- Pin 11 Cathode
- Pin 12 Heater
- Cap Anode

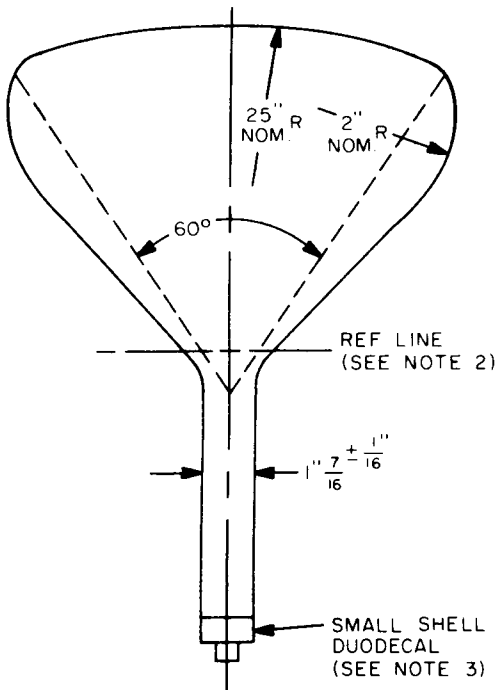
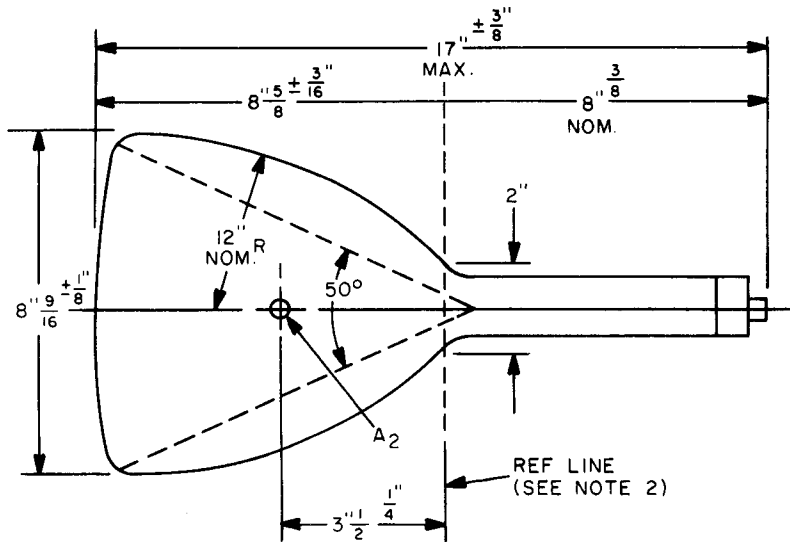
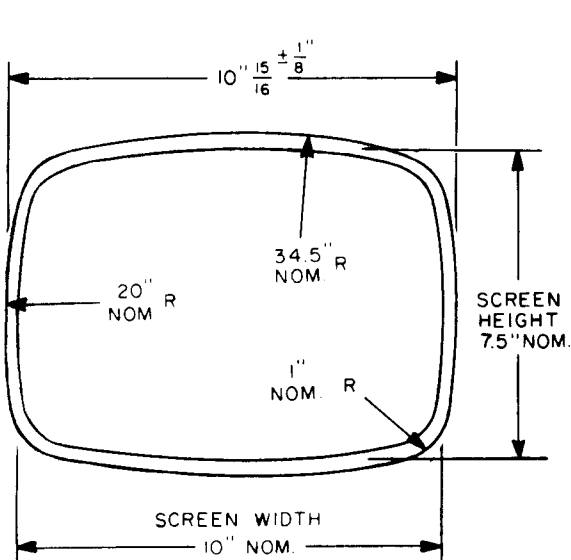
Printed in U.S.A.



# CATHODE RAY TUBE CK1415P-

## TYPICAL OPERATING CONDITIONS

Anode Voltage. . . . .	12,000 Volts
Focus Electrode Voltage . . . . .	0 to +400 Volts
Grid No. 2 Voltage. . . . .	400 Volts
Grid No. 1 Voltage (Cut-off) . . . . .	-30 to -70 Volts
Line Width A ( $I_k = 150 \mu a$ ) . . . . .	0.015 Inches Max.



NOTE 1: Shielding of the tube for x-ray radiation may be required wherever the operating potential is in excess of 16 kilovolts.

NOTE 2: With tube neck inserted through flared end of reference line gauge (JETEC No. 110) and with tube seated in gauge, the reference line is determined by the inter-section of the plane CS of the gauge with the glass funnel. The I.D. of this gauge is 2".

NOTE 3: Socket for the base should not be rigidly mounted; it should have flexible leads and be allowed to move freely.