

CHARACTERISTICS

GENERAL DATA

Focusing Method	Electrostatic
Deflecting Method	Electrostatic
Phosphor	P4
Fluorescence	White
Persistence	Medium
Faceplate	Clear

ELECTRICAL DATA

Heater Voltage	6.3 Volts
Heater Current (approx.)	0.6 Ampere
Direct Interelectrode Capacitances (approx.)	
Cathode to All Other Electrodes	5.0 $\mu\mu\text{f}$
Grid No. 1 to All Other Electrodes	6.0 $\mu\mu\text{f}$
Between Vertical Deflecting Plates	3.0 $\mu\mu\text{f}$
Between Horizontal Deflecting Plates	2.0 $\mu\mu\text{f}$
Either Vertical Deflecting Plate to All Other Electrodes Except Other Vertical Plate	6.0 $\mu\mu\text{f}$
Either Horizontal Deflecting Plate to All Other Electrodes Except Other Horizontal Plate	5.0 $\mu\mu\text{f}$

MECHANICAL DATA

Minimum Useful Screen Dimension (Diameter)	6 Inches
Base (Medium Shell Diheptal 12-Pin)	B12-37
Basing	14R

RATINGS

MAXIMUM RATINGS (Design Center Values)

Anode Voltage	6,000 Volts dc
Focusing Anode Voltage	2,800 Volts dc
Grid No. 1 Voltage	
Negative Bias Value	200 Volts dc
Positive Bias Value	0 Volts dc
Positive Peak Value	2 Volts
Heater Negative with Respect to Cathode	
During Warm-up Period Not to Exceed 15 Seconds	410 Volts dc
After Equipment Warm-up Period	125 Volts dc
Heater Positive with Respect to Cathode	125 Volts dc
Peak Voltage Between High Voltage Anode and Any Deflecting Plates	750 Volts

RECOMMENDED OPERATING CONDITIONS

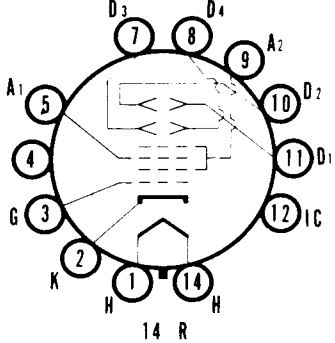
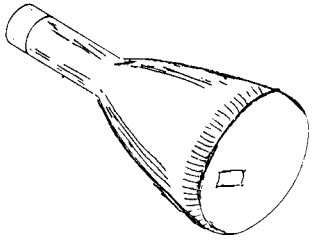
Anode Voltage	6,000 Volts dc
Focusing Anode Voltage	1,620-2,400 Volts dc
Grid No. 1 Voltage Required for Cutoff ¹	-72 to -168 Volts dc
Deflection Factor	
Vertical Plates ²	216 Volts dc/Inch
Horizontal Plates ³	177 Volts dc/Inch

CIRCUIT VALUES

Grid No. 1 Circuit Resistance	1.5 Megohms Max.
Deflection Circuit Resistance	5.0 Megohms Max.

QUICK REFERENCE DATA

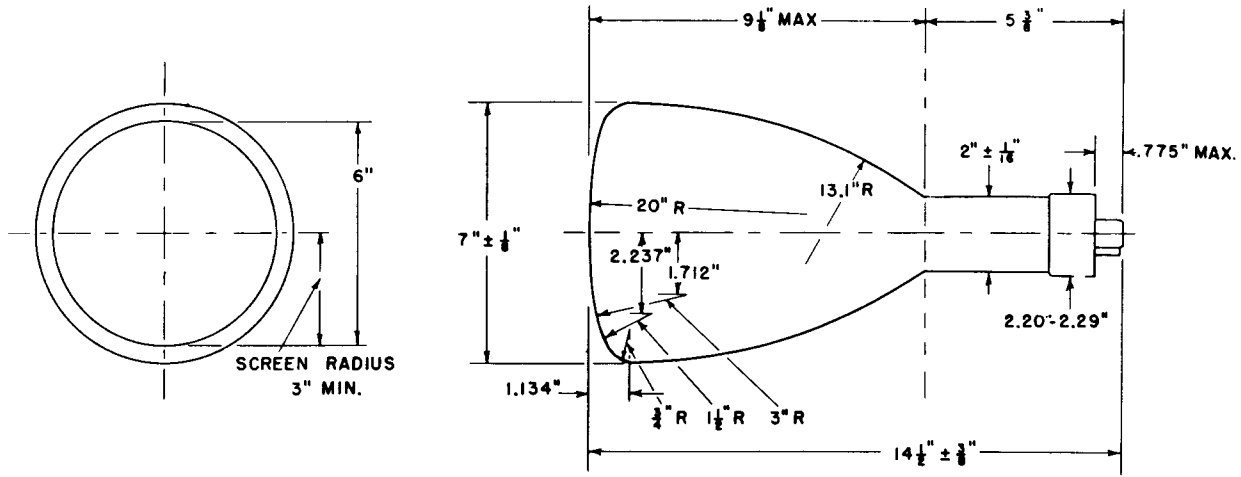
Television Picture Tube
7" Direct Viewed
Round Glass Type
Electrostatic Deflection
Electrostatic Focus



SYLVANIA ELECTRIC PRODUCTS INC.

NOTES:

1. Visual extinction of undeflected focused spot.
2. Pins 10 and 11.
3. Pins 7 and 8.



552022

DIAGRAM NOTES:

1. The screen diameter for Type 7JP7 is 5 1/2 inches.

7JP1

The Type 7JP1 is identical to the Type 7JP4 except it has a green phosphor.

7JP7

The Type 7JP7 is identical to the Type 7JP4 except it has a blue-white, long persistence phosphor and a screen diameter of 5 1/2 inches.

WARNING:

X-ray radiation shielding may be necessary to protect against possible danger of personal injury from prolonged exposure at close range if this tube is operated at higher than the manufacturer's Maximum Rated Anode Voltage or 16,000 volts, whichever is less.