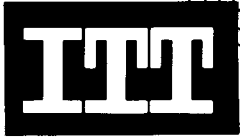


# engineering TUBE DATA

F-7030  
HIGH VACUUM  
POWER DIODE



Components Division

Tentative Specification

## DESCRIPTION

The F-7030 is a diode designed for rectifier service or in special applications in shunting or charging circuits. The exceptionally rugged construction, free of internal insulators, spring tensioning devices, and fragile elements, makes this type adaptable to a wide range of uses. The anode is forced air cooled and is capable of dissipating 2.5 kilowatts. The cathode is a thoriated tungsten bifilar helix.

## ELECTRICAL

Filament Voltage	13 volts
Filament Current	36 amperes
Filament Starting Current	
Full rated filament voltage may be safely applied to the cold filament	
Rectifier Ratings	
Maximum Peak Inverse Voltage	25 kilovolts
Maximum Peak Plate Current	30 amperes
Maximum Average Plate Current	6 amperes
Shunt Diode Ratings	
Maximum Peak Inverse Voltage	25 kilovolts
Maximum Peak Plate Current	*75 amperes
Maximum Average Plate Current	*.7

## MECHANICAL

Mounting Position	Vertical, Anode up or down				
Type of Cooling	Forced Air				
Anode Air Flow Required					
Plate Dissipation - kilowatts	2.5	2.0	1.5	1.0	0.5
Air Flow - cfm	150	120	90	65	50
Pressure - inches of water	2.5	1.6	.9	.65	.5
Maximum Incoming Air Temperature	45 °C				
Maximum Glass Temperature	180 °C				

\*Maximum peak plate current and maximum average plate current of 75 and .7 amperes respectively are rated under conditions of filament excitation voltage of 13.75 volts.

410

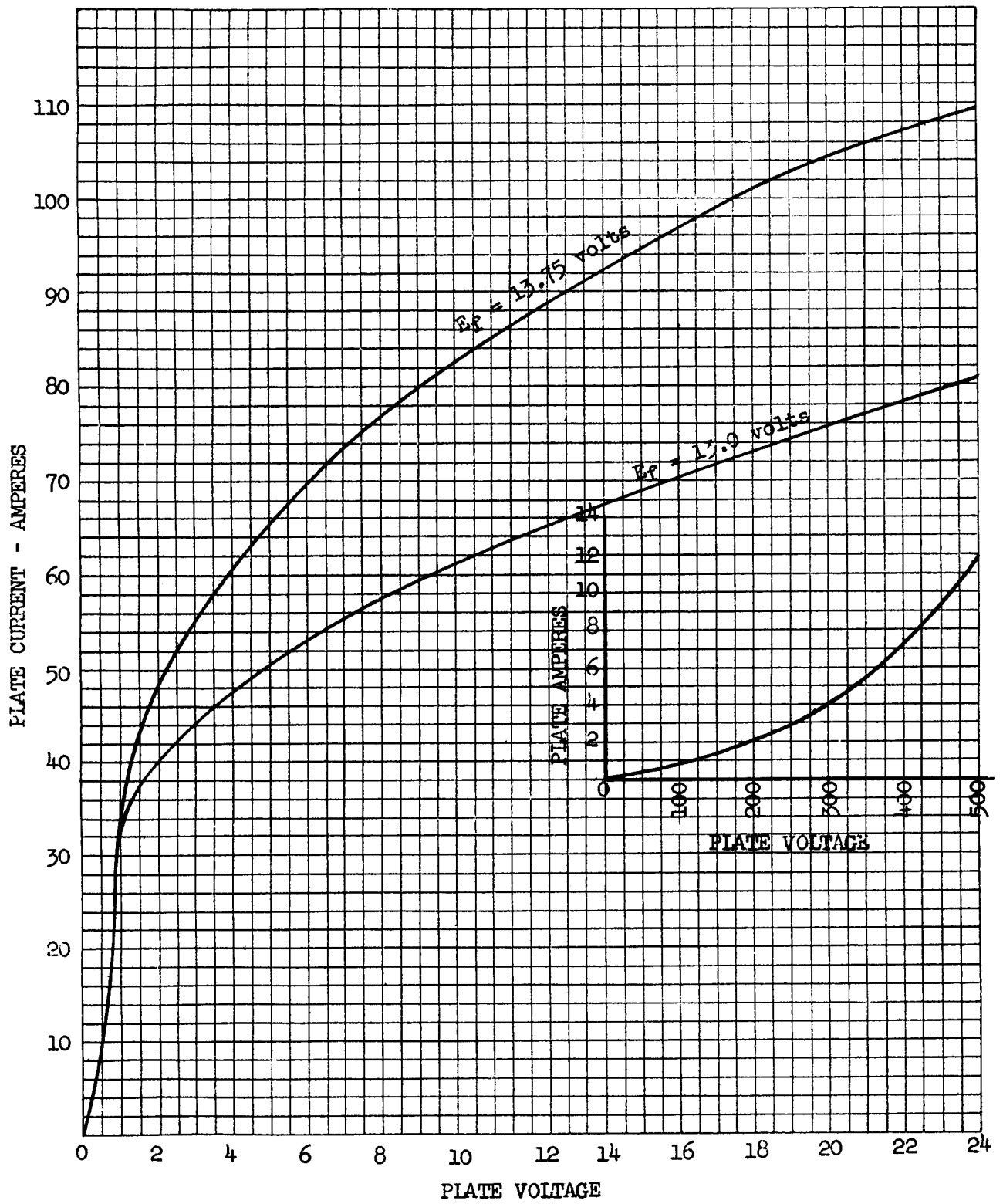


COMPONENTS DIVISION

INTERNATIONAL TELEPHONE AND TELEGRAPH CORPORATION

P. O. BOX 412, CLIFTON, NEW JERSEY

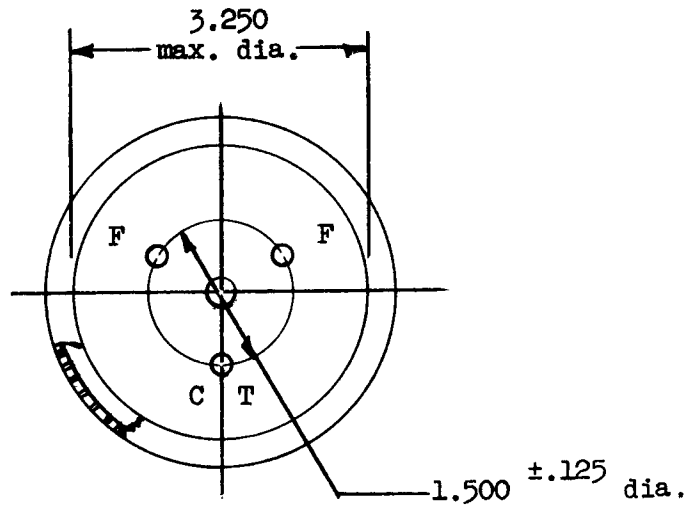
TYPE F-7030 POWER DIODE  
PLATE CHARACTERISTICS



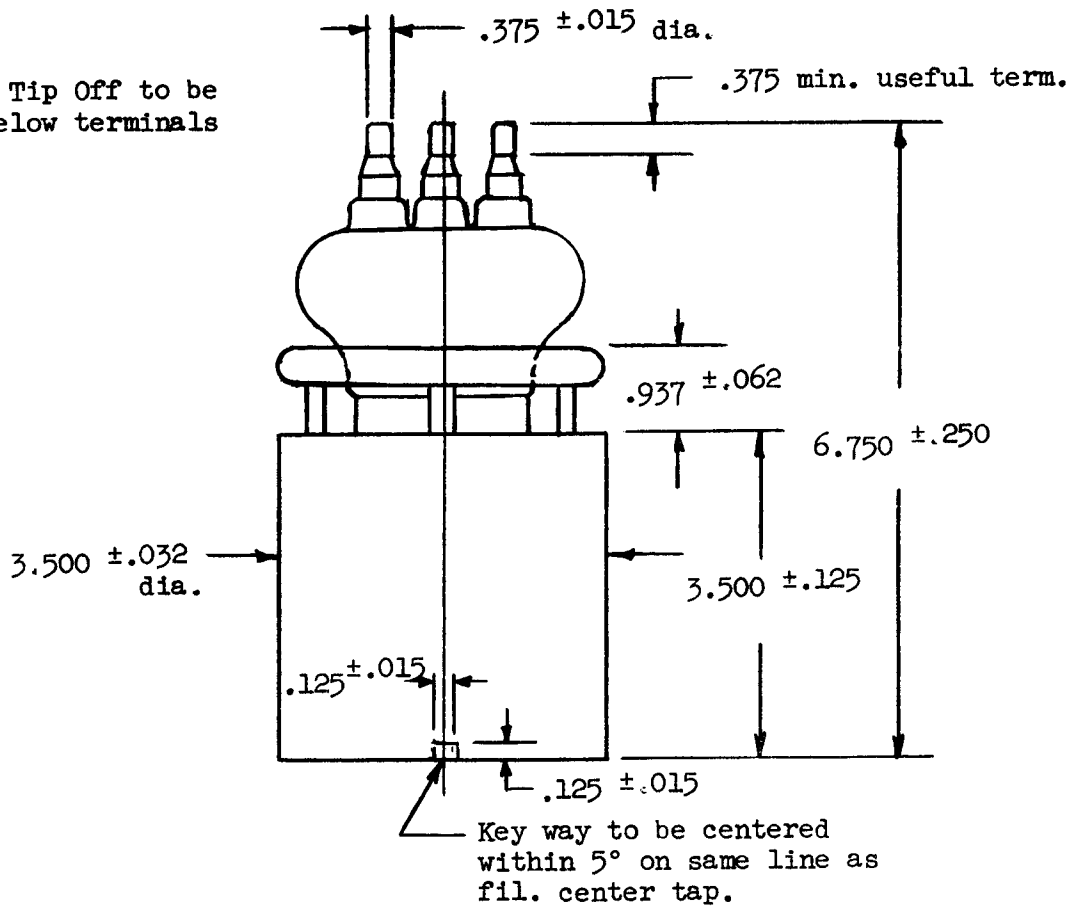
COLOR CODE

FIL. TERM. ---- YELLOW

FIL. C. TERM. - RED



Tubulation Tip Off to be  
1/8 min. below terminals



OUTLINE  
F-7030 POWER DIODE