

ECC99

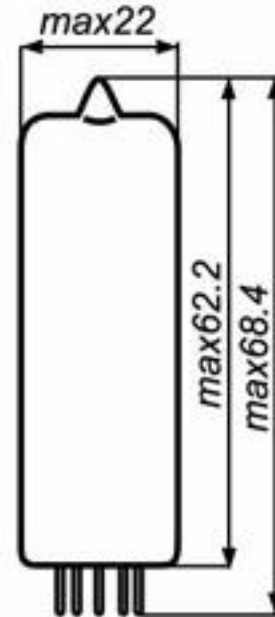
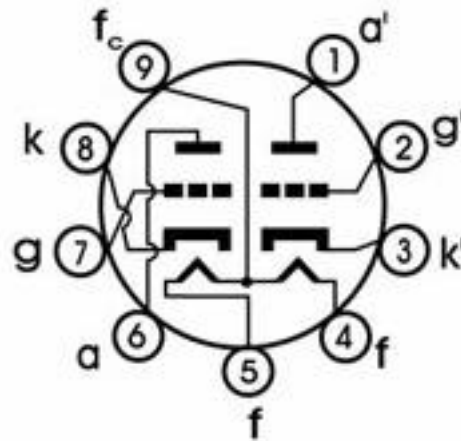
R.F. DOUBLE TRIODE

DIMENSIONS AND CONNECTIONS:

base: NOVAL

$U_f = 6,3 \text{ V}$ $12,6 \text{ V}$

$I_f = 800 \text{ mA}$ 400 mA



TYPICAL CHARACTERISTIC:

$U_a = 150 \text{ V}$
 $U_g = -4 \text{ V}$
 $I_a = 18 \text{ mA}$
 $S = 9,5 \text{ mA/V}$
 $R_1 = 2,3 \text{ kOhm}$
 $\mu = 22$

LIMITING VALUES:

$U_a = 400 \text{ V}$
 $I_k = 60 \text{ mA}$
 $U_{f/k} = 200 \text{ mA}$
 $W_a = 5 \text{ W}$

RECOMMENDED USE:

Driver of power triodes such as 300B, 2A3 ..., output stage headphone amplifiers, CDs, power stage little P-P triode amplifiers in class A (10W-4xECC99) and parallel voltage power supplies. Can be used instead of 5687, E182CC, 6840, 6BL7.

CAPACITANCES:

	system I	system II
$C_{g/k}$	= 5,8	5,8 pF
C_a	= 0,91	0,81 pF
$C_{g/a}$	= 5,1	5,1 pF

