



6C24

POWER TRIODE

FORCED-AIR COOLED

6C24

GENERAL DATA

Electrical:

Filament, Thoriated Tungsten:

Voltage 11.0 ac or dc volts

Current 12.1 amp.

Starting Current: The filament current must never exceed, even momentarily, 24 amperes.

Resistance (Cold) 0.13 ohms

Amplification Factor 30

Direct Interelectrode Capacitances (Approx.):

Grid to Plate 4.4 μmf

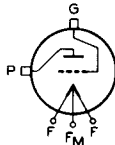
Grid to Filament 4.6 μmf

Plate to Filament 3.2 μmf

Mechanical:

Terminal Connections:

F - Filament
F_M - Filament
Mid-Tap



G - Grid Cap Terminal
P - Plate Terminal
(Air-Cooled Radiator)

Mounting Position . . . Vertical only, Filament or Grid End Up

Overall Length 8-17/32" \pm 3/16"

Diameter 1-7/8" \pm 1/32"

Radiator Integral Part of Tube

Cooling: See following pages for cooling methods. Under any circumstances, sufficient air must be supplied to the radiator so that the rated maximum radiator temperature of 180°C measured at the base of an end fin, on the side away from the air supply, will not be exceeded. In addition, a small amount of air is required on the filament and grid seats to limit their temperature at the hottest part to 150°C. Air flow must start before the application of any voltages.

AF POWER AMPLIFIER & MODULATOR - Class B

	Cooling Method I [▲]	Cooling Method II [▲]	
Maximum CCS* Ratings, Absolute Values:			
DC PLATE VOLTAGE	3000 max.	3000 max.	volts
MAX.-SIG. DC PLATE CURRENT**	400 max.	400 max.	ma.
MAX.-SIG. PLATE INPUT** . .	1200 max.	1200 max.	watts
PLATE DISSIPATION**	400 max.	600 max.	watts

Typical Operation:

Unless otherwise specified, values are for two tubes

DC Plate Voltage 3000 volts

DC Grid Voltage#^{OO} -95 volts

Peak AF Grid-to-Grid Voltage 470 volts

[▲] See drawings on following pages.

* CCS = Continuous Commercial Service.

** Averaged over any af cycle of sine-wave form.

obtained from fixed or well-regulated supply.

^{OO} use separate bias supply for each tube for balancing currents.

6C24



6C24

POWER TRIODE

Zero-Signal DC Plate Current	75	ma.
Max.-Signal DC Plate Current	800	ma.
Effective Load Resistance (plate-to-plate)	8600	ohms
Max.-Signal Driving Power (Approx.) . .	30	watts
Max.-Signal Power Output (Approx.) . .	1640	watts

RF POWER AMPLIFIER - Class B Telephony

Carrier conditions per tube for use with a max. modulation factor of 1.0

	Cooling Method I [▲]	Cooling Method II [▲]	
Maximum CCS* Ratings, Absolute Values:			
DC PLATE VOLTAGE	3000 max.	3000 max.	volts
DC PLATE CURRENT	250 max.	250 max.	ma.
PLATE INPUT	600 max.	600 max.	watts
PLATE DISSIPATION	400 max.	600 max.	watts

Typical Operation:

DC Plate Voltage	3000	volts
DC Grid Voltage [#]	-95	volts
Peak RF Grid Voltage	130	volts
DC Plate Current	200	ma.
DC Grid Current (Approx.) ^{##}	5	ma.
Driving Power (Approx.) ^{##} [○]	16	watts
Power Output (Approx.)	210	watts

[#] obtained from a fixed or well-regulated supply.[○] At crest of af cycle with modulation factor of 1.0.

PLATE-MODULATED RF POWER AMPLIFIER - Class C Telephony

Carrier conditions per tube for use with a max. modulation factor of 1.0

	Cooling Method I [▲]	Cooling Method II [▲]	
Maximum CCS* Ratings, Absolute Values:			
DC PLATE VOLTAGE	2500 max.	2500 max.	volts
DC GRID VOLTAGE	-500 max.	-500 max.	volts
DC PLATE CURRENT	400 max.	400 max.	ma.
DC GRID CURRENT	150 max.	150 max.	ma.
PLATE INPUT	1000 max.	1000 max.	watts
PLATE DISSIPATION	265 max.	400 max.	watts

Typical Operation:

DC Plate Voltage	2500	volts
DC Grid Voltage: ^{▲▲}		
from a fixed supply of	-350	volts
from a grid resistor of	2600	ohms
Peak RF Grid Voltage	620	volts
DC Plate Current	400	ma.

[▲] See drawings on following pages.^{*} CCS - See next page.^{##} Subject to wide variations as explained on sheet TUBE RATINGS in General Section.^{▲▲} obtained by grid resistor of value shown, or by partial self-bias methods.

APRIL 1, 1946

RCA VICTOR DIVISION

TENTATIVE DATA 1

RADIO CORPORATION OF AMERICA, HARRISON, NEW JERSEY



6C24

6C24

POWER TRIODE

DC Grid Current (Approx.)##	135	ma.
Driving Power (Approx.)##	75	watts
Power Output (Approx.)	810	watts

RF POWER AMPLIFIER & OSCILLATOR - Class C Telegraphy

key-down conditions per tube without modulation ‡

	<u>Cooling Method I[▲]</u>	<u>Cooling Method II[▲]</u>	
Maximum CCS* Ratings, Absolute Values:			
DC PLATE VOLTAGE	3000 max.	3000 max.	volts
DC GRID VOLTAGE.	-500 max.	-500 max.	volts
DC PLATE CURRENT	500 max.	500 max.	ma.
DC GRID CURRENT.	150 max.	150 max.	ma.
PLATE INPUT.	1500 max.	1500 max.	watts
PLATE DISSIPATION.	400 max.	600 max.	watts

Typical Operation:

DC Plate Voltage	3000	volts
DC Grid Voltage:		
<i>from fixed supply of</i>	-250	volts
<i>from grid resistor of</i>	1700	ohms
<i>from cathode resistor of</i>	400	ohms
Peak RF Grid Voltage	520	volts
DC Plate Current	500	ma.
DC Grid Current (Approx.)##	150	ma.
Driving Power (Approx.)##.	75	watts
Power Output (Approx.)	1100	watts

[▲] See drawings on following pages.

[‡] Modulation essentially negative may be used if the positive peak of the audio-frequency envelope does not exceed 115% of the carrier conditions.

^{##} Subject to wide variations as explained on sheet TUBE RATINGS in General Section.

* Continuous Commercial Service.

NOTE: When the 6C24 is used in the final amplifier or a preceding stage of a transmitter designed for break-in operation and oscillator keying, a small amount of fixed bias must be used to maintain the plate current at a safe value. With plate voltage of 3000 volts, a fixed bias of at least -90 volts should be used.

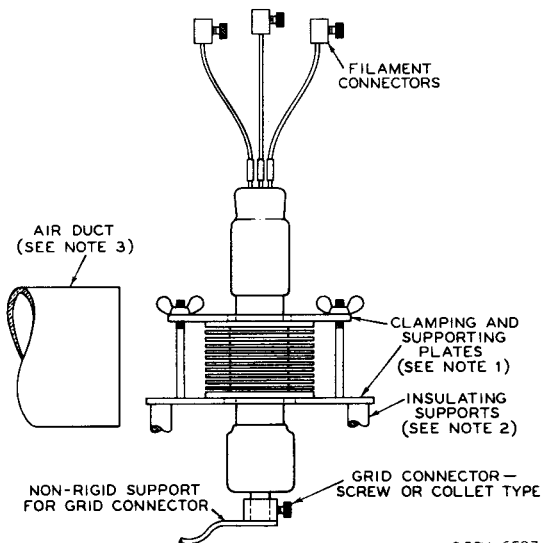
Data on operating frequencies for the 6C24 are given on the sheet TRANS. TUBE RATINGS vs FREQUENCY.

6C24



6C24

POWER TRIODE

 COOLING METHOD I
 Suggested Mounting


92CM-6597

NOTE 1: SUPPORTING PLATE AND CLAMPING PLATE HAVE HOLES LARGE ENOUGH TO PERMIT PASSAGE OF THE GLASS BULBS OF THE TUBE.

NOTE 2: TWO OR MORE INSULATORS MAY BE USED. INSULATORS MUST BE PLACED SO AS TO NOT INTERFERE WITH AIR FLOW ONTO GRID TERMINAL.

NOTE 3: AIR DUCT MUST BE HORIZONTAL AND MUST BE DIRECTED AT CENTER OF RADIATOR.



6C24

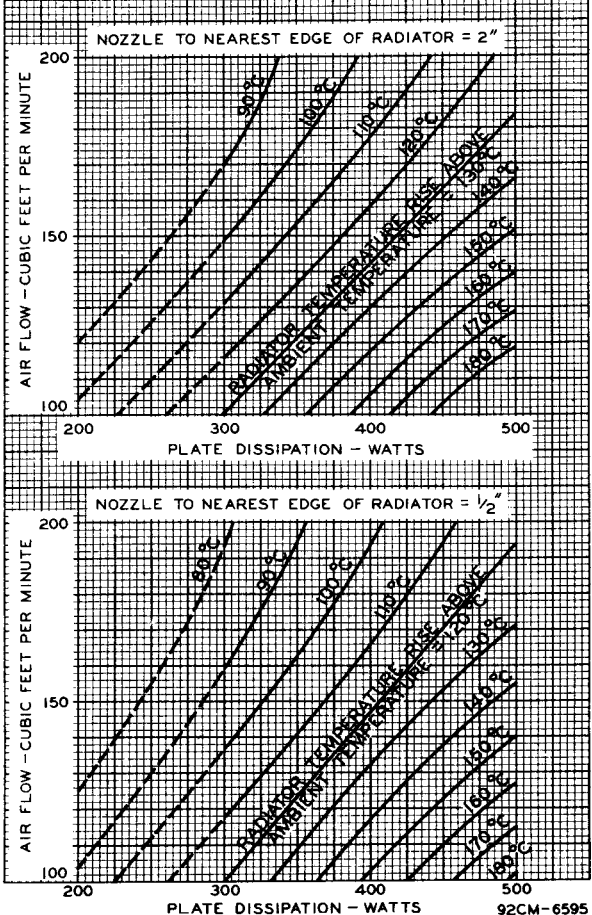
6C24

RADIATOR COOLING REQUIREMENTS FOR COOLING METHOD I

$E_f = 11$ VOLTS

MAXIMUM RADIATOR TEMPERATURE = 180°C

RADIATOR TEMPERATURE MEASURED AT BASE
OF END FIN ON SIDE OPPOSITE NOZZLE.



APRIL 1, 1946

TUBE DIVISION

RADIO CORPORATION OF AMERICA, HARRISON, NEW JERSEY

92CM-6595

TENT. DATA 3

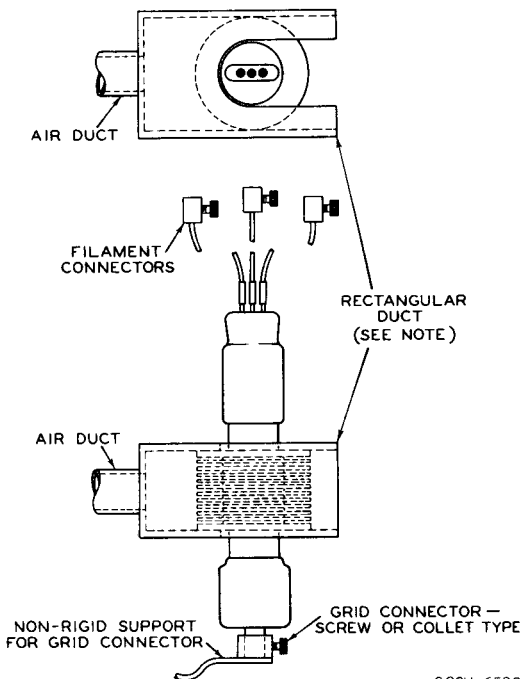
6C24



6C24

POWER TRIODE

COOLING METHOD II
Suggested Mounting



92CM-6598

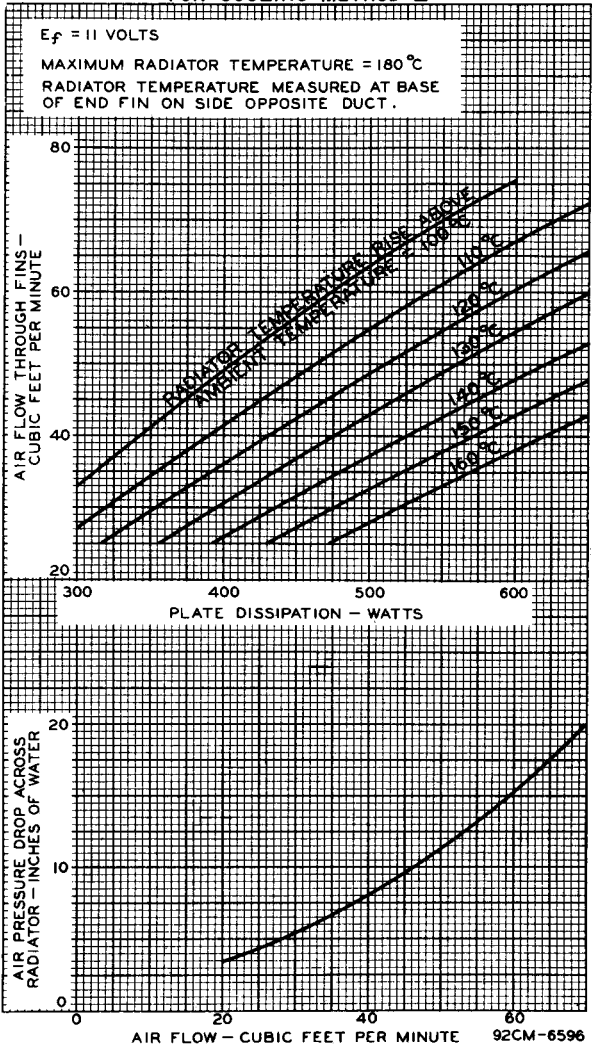
NOTE: AIR DUCT MAY BE PART OF HIGH-FREQUENCY TRANSMISSION LINE. UPPER AND LOWER FACES OF RECTANGULAR DUCT HAVE SLOTS TO PERMIT PASSAGE OF TUBE. MEANS SHOULD BE PROVIDED TO LOCK TUBE IN POSITION.



6C24

6C24

RADIATOR COOLING REQUIREMENTS FOR COOLING METHOD II



APRIL 1, 1946

TUBE DIVISION
RADIO CORPORATION OF AMERICA, HARRISON, NEW JERSEY

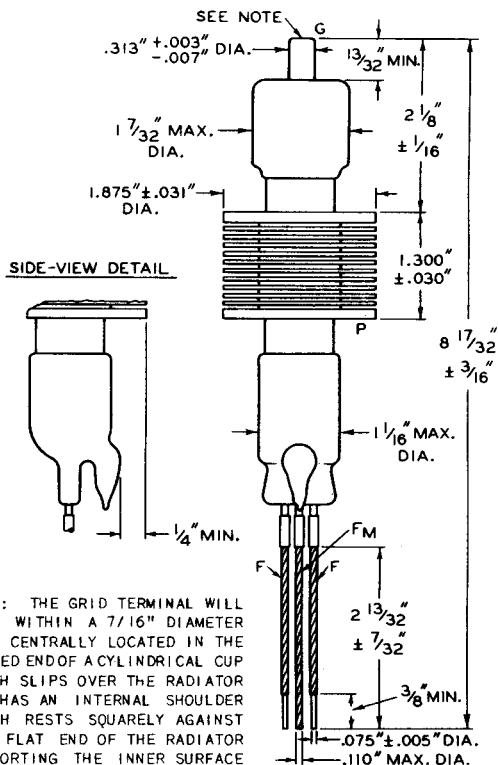
TENT. DATA 4

6C24



6C24

POWER TRIODE



NOTE: THE GRID TERMINAL WILL FALL WITHIN A $\frac{7}{16}$ " DIAMETER HOLE CENTRALLY LOCATED IN THE CLOSED END OF A CYLINDRICAL CUP WHICH SLIPS OVER THE RADIATOR AND HAS AN INTERNAL SHOULDER WHICH RESTS SQUARELY AGAINST THE FLAT END OF THE RADIATOR SUPPORTING THE INNER SURFACE OF THE CLOSED END OF THE CUP $1\text{--}1\frac{13}{16}$ " FROM THE GRID END OF THE RADIATOR. THE CLOSED END OF THE CUP IS $\frac{7}{16}$ " THICK.

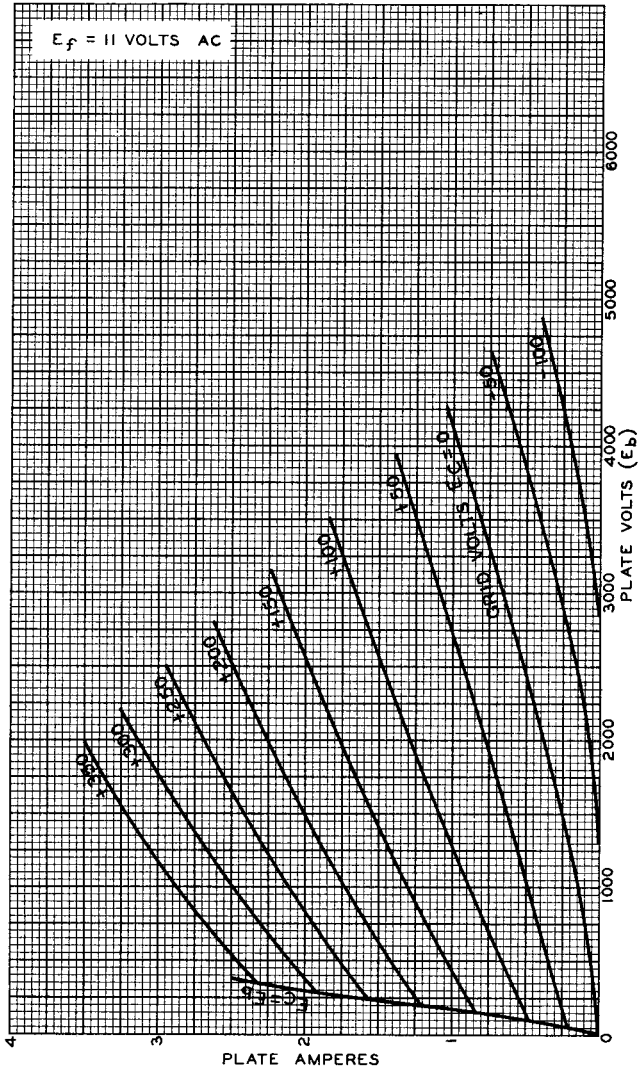
92CM-6587



6C24

6C24

AVERAGE PLATE CHARACTERISTICS



MAY 10, 1948

TUBE DEPARTMENT
RADIO CORPORATION OF AMERICA, HARRISON, NEW JERSEY

92CM-6593RI

6C24



6C24

TYPICAL CHARACTERISTICS

