

## Half-Wave Mercury-Vapor Rectifier

The 6894 is the same as the 6895 except for the following items:

### Mechanical:

Overall Length. . . . . 10-3/32" ± 7/16"

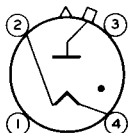
Socket. . . . . Johnson No.123-211, or equivalent

Base. . . . . Skirted Medium-Metal-Shell Jumbo 4-Pin with Bayonet (JEDEC No. A4-69)

Basing Designation on BOTTOM VIEW. . . . . 4AT

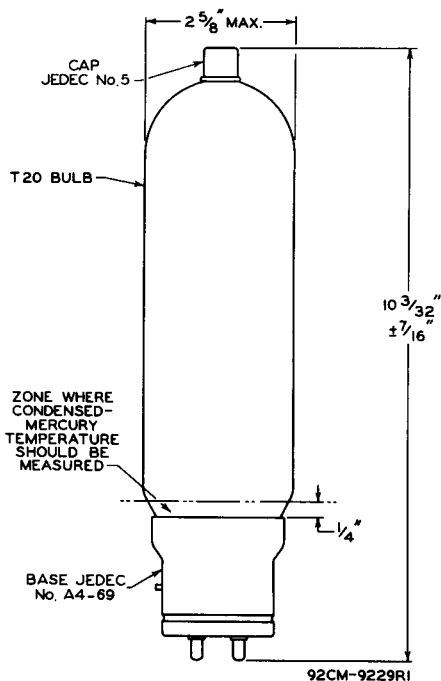
Pin 1 - No Internal Connection

Pin 2 - Filament, Cathode Shield



Pin 3 - No Internal Connection

Pin 4 - Filament Cap - Anode



← Indicates a change.

