



5550

IGNITRON

SIZE A

5550

DATA**General:**

Peak Voltage Drop (Approx.) 12 volts
 Cooling:
 Type Air, or Water-Cooled Clamp
 Clamp Width (Approx.) 1-3/4"
 Clamp Location See Outline Drawing
 Mounting Position Vertical, Flexible Lead Up
 Max. Rigid Length (Approx.) 10"
 Maximum Diameter 2-3/4"

AC WELDER-CONTROL SERVICE *

Ratings are for any voltage from 250 to 600 volts rms
at frequencies from 25 to 60 cycles

Maximum Ratings, Absolute Values:

	Air Cooled*	Water Cooled	
DEMAND	105 max.	300 max.	kva
CORRESPONDING AVERAGE ANODE CUR.	3 max.	12.1 max.	amp
AVERAGE ANODE CURRENT	5.6 max.	22.4 max.	amp
CORRESPONDING DEMAND	35 max.	100 max.	kva
TIME OF AVERAGING ANODE CURRENT:			
AT 500 VOLTS RMS	15.5 max.	11 max.	sec
AT 250 VOLTS RMS	31 max.	22 max.	sec
SURGE ANODE CURRENT	■	■	peak amp
PEAK POSITIVE IGNITOR VOLTAGE §	900 max. 200 min.	900 max. 200 min.	volts
PEAK NEGATIVE IGNITOR VOLTAGE			volts
PEAK IGNITOR CURRENT §	100 max. 30 min.	100 max. 30 min.	amp
AVERAGE IGNITOR CURRENT**			amp
IGNITION TIME §	100 max.	100 max.	usec
COOLING CLAMP TEMPERATURE	75 max.	50 max.	°C

* Mercury condensation in the anode-seal must be prevented by suitable heating devices.

• RMS demand-voltage, -current, and -kva are on the basis of full-cycle conduction (no phase delay) regardless of whether or not phase control is used. Use the 250-volt rating for voltages below 250 volts.

** Averaged over any 5-second interval.

■ Must be limited to 280% of maximum rms demand current.

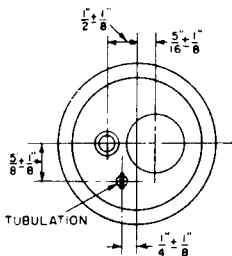
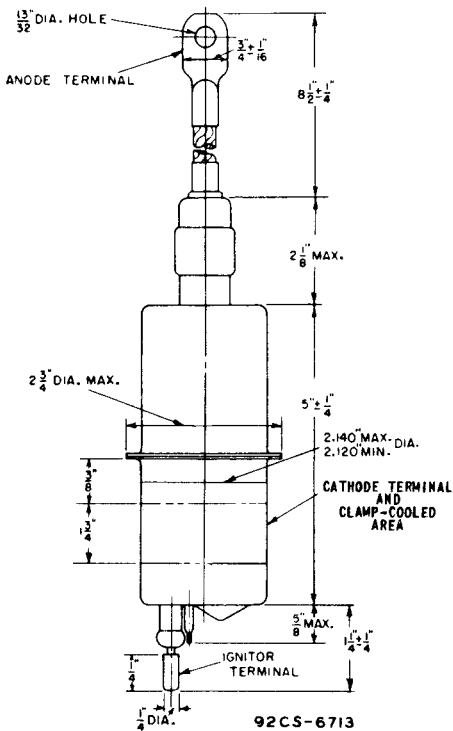
§ Ignition will occur if either minimum peak positive potential is applied, or minimum peak ignitor current flows, for the rated maximum ignitor ignition time.

5550



5550

IGNITRON



MAY 1, 1946

 TUBE DIVISION
 RADIO CORPORATION OF AMERICA, HARRISON, NEW JERSEY

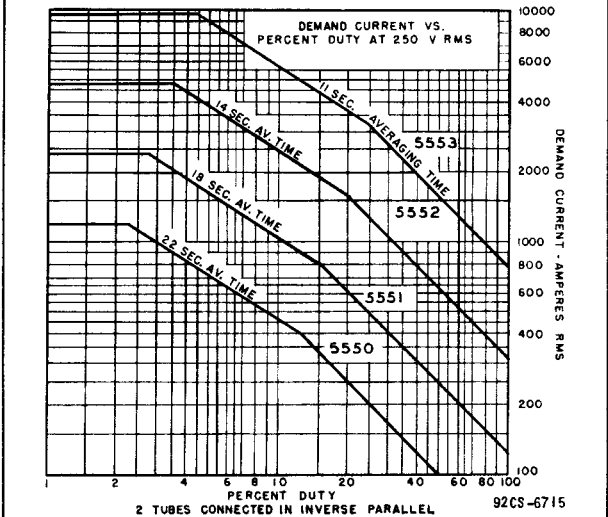
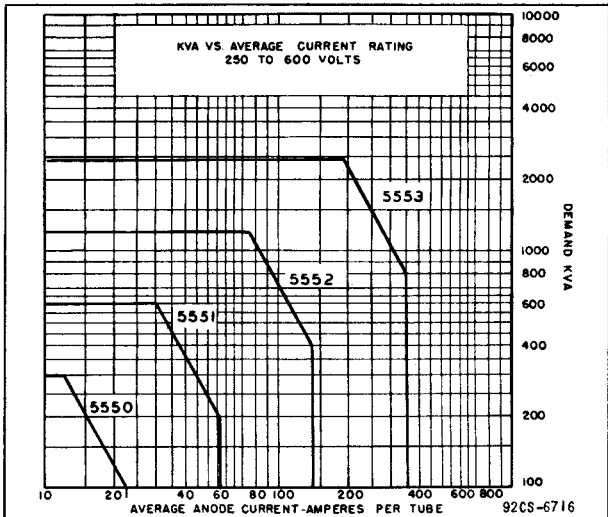
CE-6713



5550

IGNITRON

5550

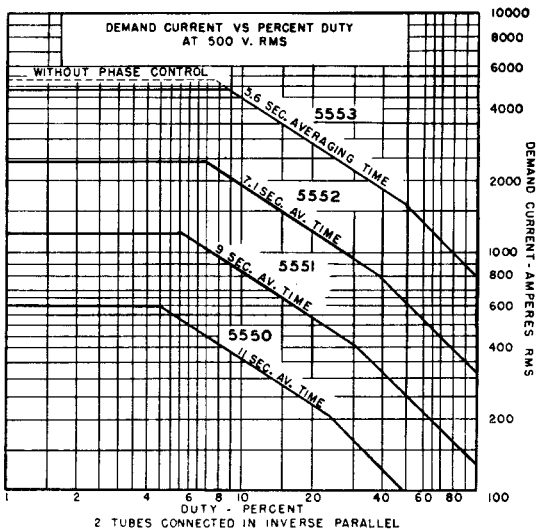


5550



5550

IGNITRON



92CS-6714