



16RP4

KINESCOPE

RECTANGULAR GLASS TYPE

MAGNETIC FOCUS

MAGNETIC DEFLECTION

16RP4

DATA

General:

Heater, for Unipotential Cathode:

Voltage 6.3 ac or dc volts
Current 0.6 amp

Direct Interelectrode Capacitances:

Grid No.1 to All Other Electrodes 6 μf
Cathode to All Other Electrodes 5 μf
External Conductive Coating to Anode { 2000 max. μf
750 min. μf

Face Plate (With about 66% light transmission) Filterglass

Phosphor (For Curves, see front of this Section). P4—Sulfide Type

Fluorescence and Phosphorescence White

Persistence of Phosphorescence Short

Focusing Method Magnetic

Deflection Method Magnetic

Deflection Angles (Approx.):

Diagonal 70°
Horizontal 65°
Vertical 50°

Ion-Trap Gun Requires External, Single-Field Magnet

Overall Length 18-3/4" ± 3/8"

Greatest Diagonal of Tube at Face 16-1/8" ± 3/16"

Greatest Width of Tube at Face 14-3/4" ± 3/16"

Greatest Height of Tube at Face 11-1/2" ± 3/16"

Minimum Screen Size 13-1/2" x 10-1/8"

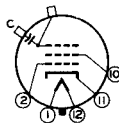
Mounting Position Any

Cap. Recessed Small Cavity (JETEC No. J1-21)

Base Small-Shell Duodecal 5-Pin (JETEC No. B5-57)

BOTTOM VIEW

Pin 1-Heater
Pin 2-Grid No.1
Pin 10-Grid No.2
Pin 11-Cathode



Pin 12-Heater
Cap - Anode
C - External Conductive Coating

Maximum Ratings, Design-Center Values:

ANODE VOLTAGE 16000 max. volts

GRID-No.2 VOLTAGE 410 max. volts

GRID-No.1 VOLTAGE:

Negative bias value 125 max. volts

Positive bias value 0 max. volts

Positive peak value 2 max. volts

PEAK HEATER-CATHODE VOLTAGE:

Heater negative with respect to cathode:

During equipment warm-up period
not exceeding 15 seconds 410 max. volts

After equipment warm-up period 150 max. volts

Heater positive with respect to cathode. 150 max. volts

I6RP4



I6RP4

KINESCOPE

Typical Operation:

Anode Voltage*	12000	14000	volts
Grid-No.2 Voltage.	300	300	volts
Grid-No.1 Voltage for Visual Extinction of Undelected Focused Spot	-33 to -77	-33 to -77	volts
Focusing-Coil Current (DC, approx.) ^o	100 ± 20%	108 ± 20%	ma
Field Strength of Single-Field Ion-Trap Magnet (Approx.)	45	50	gausses

Maximum Circuit Values:

Grid-No.1-Circuit Resistance 1.5 max.megohms

* Brilliance and definition decrease with decreasing anode voltage. In general, the anode voltage should not be less than 12000 volts.

^o For specimen focusing coil similar to JETEC Focusing Coil No.109 positioned with airgap toward kinescope screen and center line of air gap 3-1/2 inches from Reference Line (see Outline Drawing). The indicated current is for condition with combined grid-No.1 bias voltage and video-signal voltage adjusted to produce a highlight brightness of 30 foot-lamberts on a 13-1/2" x 10-1/8" picture area sharply focused at center of screen.



16RP4

KINESCOPE

16RP4

OPERATING NOTES

X-Ray Warning. When operated at anode voltages up to 16 kilovolts, the 16RP4 does not produce any harmful x-ray radiation. However, because the rating of the tube permits operation at anode voltages as high as 17.6 kilovolts (absolute value), shielding of the 16RP4 for x-ray radiation may be needed to protect against possible injury from prolonged exposure at close range whenever the operating conditions involve voltages in excess of 16 kilovolts.

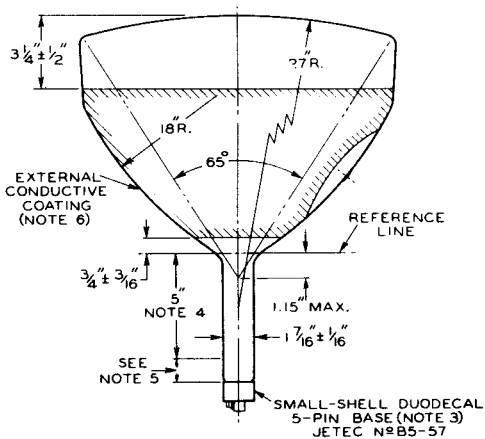
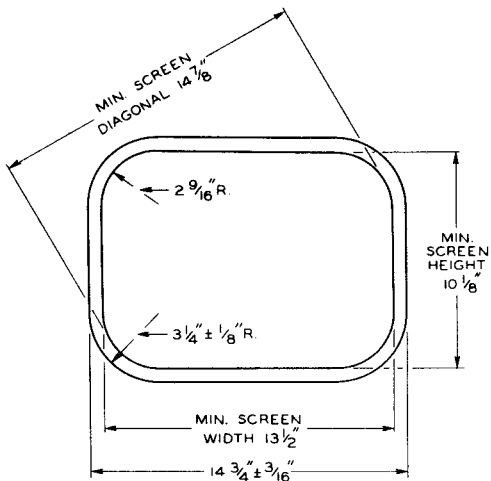
Direction of the field of the ion-trap magnet should be such that the north pole is adjacent to vacant pin position No.8 and the south pole to pin No.2.

16RP4



16RP4

KINESCOPE



AUG. 1, 1951

TUBE DEPARTMENT
RADIO CORPORATION OF AMERICA, HARRISON, NEW JERSEY

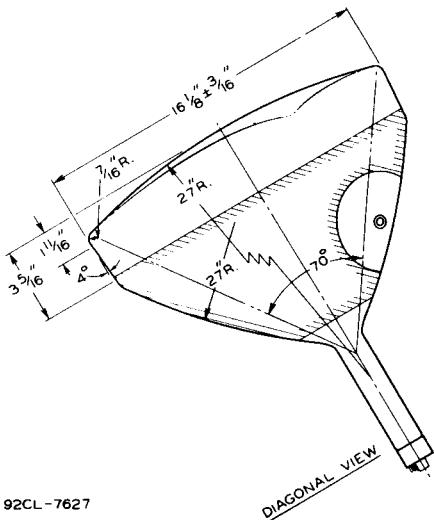
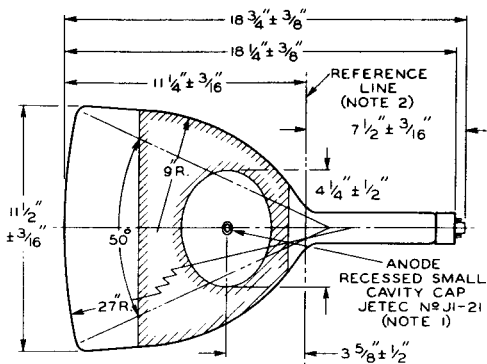
CE-7627A



16RP4

KINESCOPE

16RP4



92CL-7627

16RP4



16RP4

KINESCOPE

NOTE 1: THE PLANE THROUGH THE TUBE AXIS AND VACANT PIN POSITION No.6 MAY VARY FROM THE PLANE THROUGH THE TUBE AXIS AND ANODE TERMINAL BY ANGULAR TOLERANCE (MEASURED ABOUT THE TUBE AXIS) OF $\pm 30^\circ$. ANODE TERMINAL IS ON SAME SIDE AS VACANT PIN POSITION No.6.

NOTE 2: WITH TUBE NECK INSERTED THROUGH FLARED END OF REFERENCE-LINE GAUGE JETEC No.110 (SHOWN AT FRONT OF THIS SECTION) AND WITH TUBE SEATED IN GAUGE, THE REFERENCE LINE IS DETERMINED BY THE INTERSECTION OF THE PLANE CC' OF THE GAUGE WITH THE GLASS FUNNEL.

NOTE 3: SOCKET FOR THIS BASE SHOULD NOT BE RIGIDLY MOUNTED; IT SHOULD HAVE FLEXIBLE LEADS AND BE ALLOWED TO MOVE FREELY.

NOTE 4: LOCATION OF DEFLECTING YOKE AND FOCUSING DEVICE MUST BE WITHIN THIS SPACE.

NOTE 5: KEEP THIS SPACE CLEAR FOR SINGLE-FIELD, ION-TRAP MAGNET.

NOTE 6: EXTERNAL CONDUCTIVE COATING MUST BE GROUNDED.



16RP4

16RP4

AVERAGE GRID-DRIVE CHARACTERISTICS

