

**AT-784/PRC
Loop Antenna**

Status: STD-A; NSN: 5820-00-086-7651

Reference: TM 11-5985-284-15

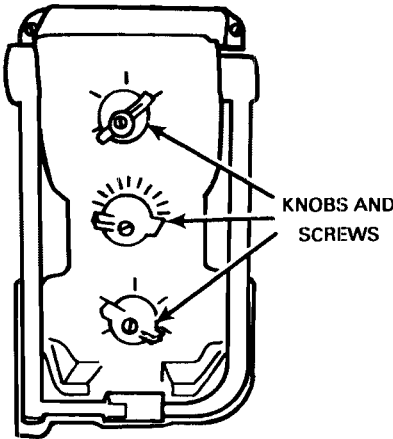
General Information

The AT-784/PRC is a direction finder device which is used in conjunction with FM Radio Sets AN/PRC-77, AN/VRC-12, or their equivalents. It enables the operator to determine the direction of a transmitted radio signal. The AT-784/PRC is used for reception only.

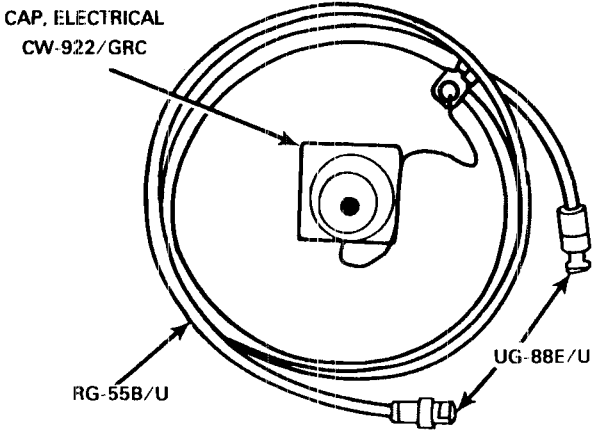
Technical Characteristics

Frequency Range-----30 to 76 MHz covered in five bands
Planning Range-----Depends on radio set used
Weight-----1.1 kg (2.5 lb)

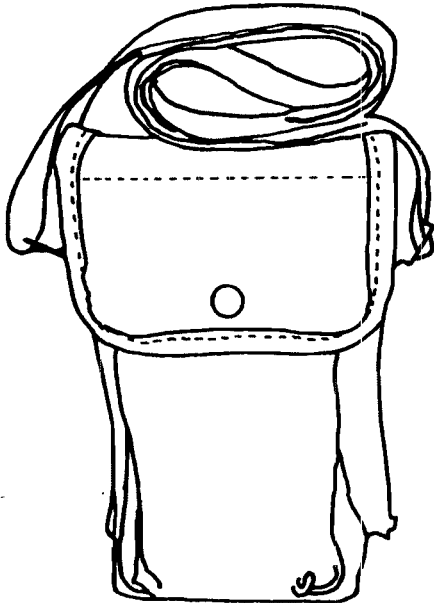
AT-784/PRC Loop Antenna



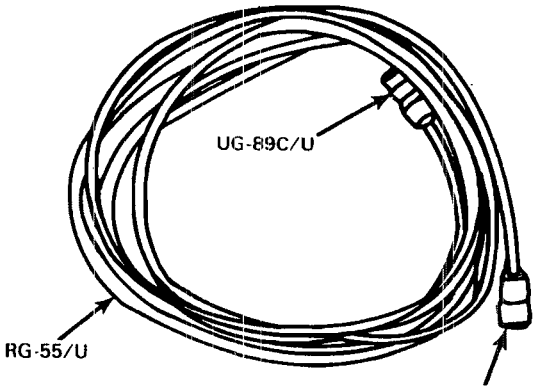
ANTENNA AT-1082/PRC



CABLE ASSEMBLY RADIO
FREQUENCY CG-3344/PRC
(5 FT)



BAG, COTTON DUCK
CW-445/PRC



CABLE ASSEMBLY, RADIO
FREQUENCY CG-2840/U
(12 FT)