

AN/TYQ-30(V)*, AN/TYQ-31, and AN/TYQ-32 Communications System Control Element

Status: STD-To be determine; NSN: To be determined

Reference: Not Available

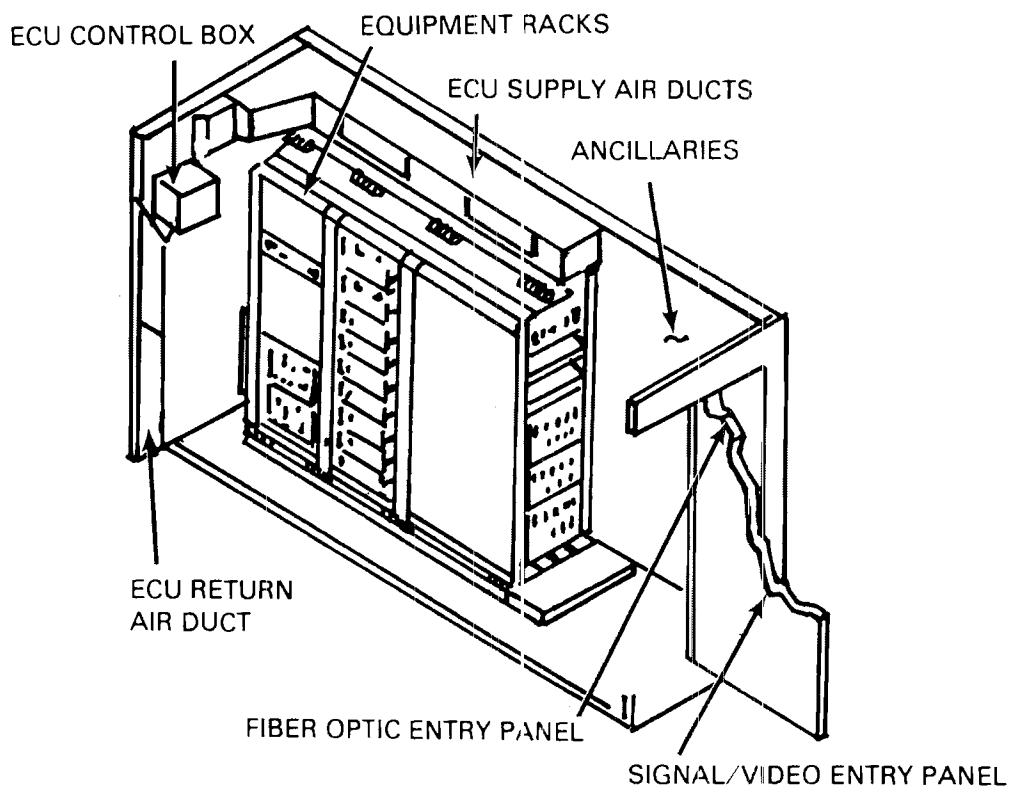
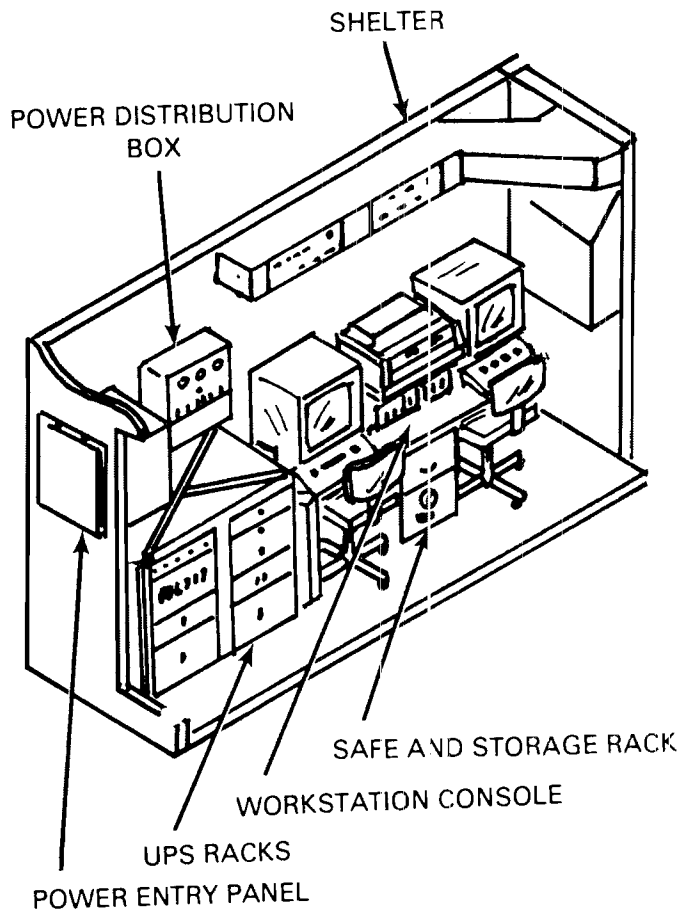
General Information

The CSCE provides automated management/systems control of TRI-TAC networks. The CSCE gives the EAC network manager automated management facilities for planning the allocation, use, and operation of the deployed tactical communications network. An extensive network data base monitors the network's status through reports received from subelements. The CSCE provides an automated facility for preparing and disseminating operation orders, telecommunications service orders, contingency plans, and other documents. The AN/TYQ-30(V)1 supports a Signal brigade with an ADP shelter, an operations shelter, and a remote terminal cluster. The AN/TYQ-30(V)2 (single shelter) with a remote terminal cluster supports a Signal battalion. The AN/TYQ-31 (single shelter) will be deployed with the AN/TTC-39A to be utilized by nodal management and technical control personnel. The AN/TYQ-32 is an unsheltered, portable workstation operated by the using unit (sub-element) to transmit or receive status on special portions of the network, consisting of a small processor, keyboard, VDU, DSVT, and DSDI. The CSCE will replace the AN/MS-31 and AN/MS-32.

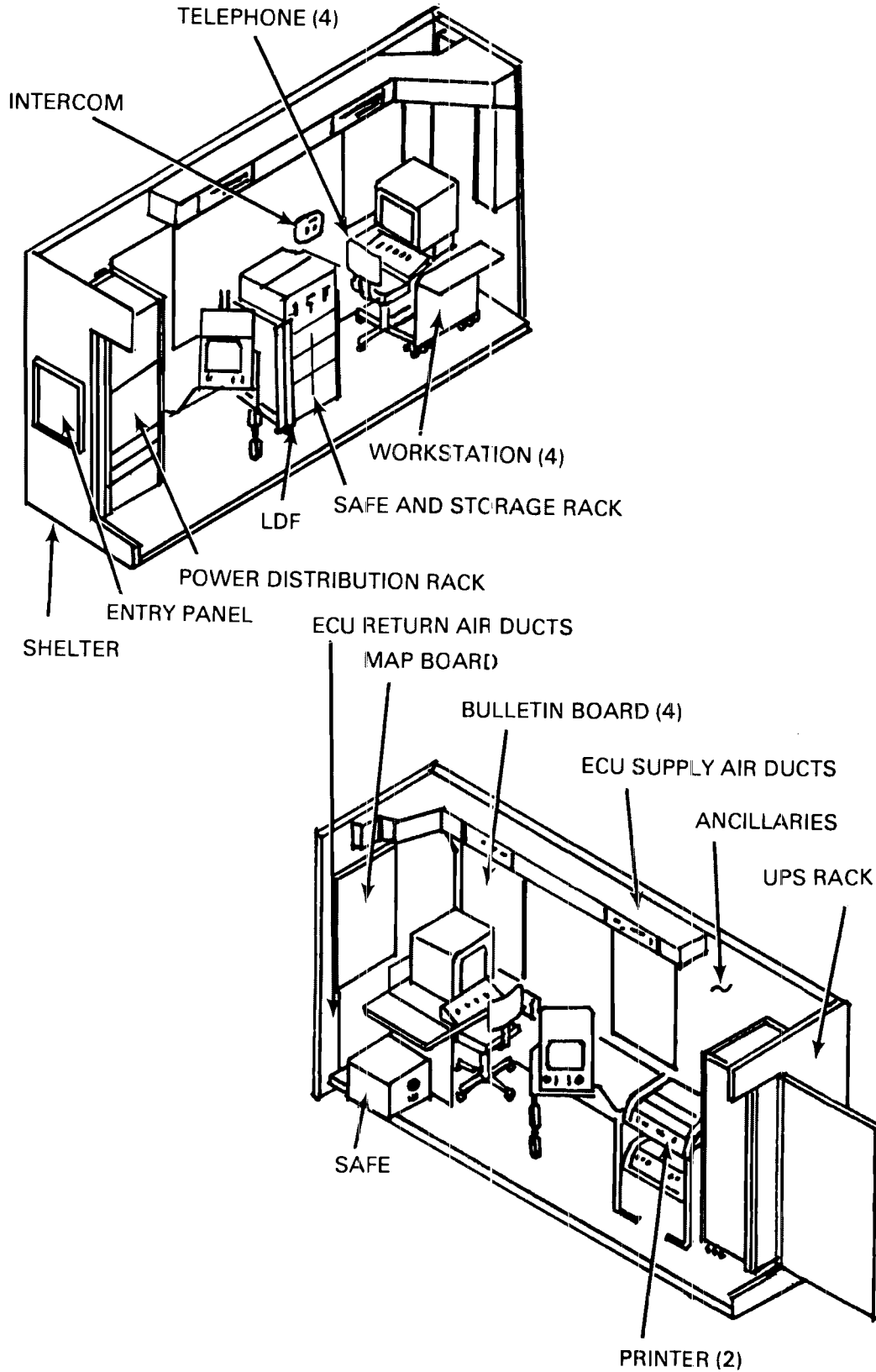
Major Components

	TYQ-30(V)1 (ADP)	TYQ-30(V)1 (Operations)	TYQ-30(V)2	TYQ-31
Micro VAX II Computer	3		2	1
175-MB Disk Drives	6		3	2
Workstation VS-2000	2	4	2	2
Matrix Printer	1		1	1
VHF Radio VRC-46 or VRC-90 with KY-57	1	1		1
KY-68 DSVT	10	4	10	8
AN/UXC-7	1	1	1	1
Fiber Optic Extender	2	1	2	
Multiport Repeater	1		1	
DSDI	8		8	
TD-1235	1			
LS-147/F1	1		1	
Shelter S-280(C)/G	1	1	1	1
Remote Terminal Cluster		1	1	
Orderwire Control Unit				1

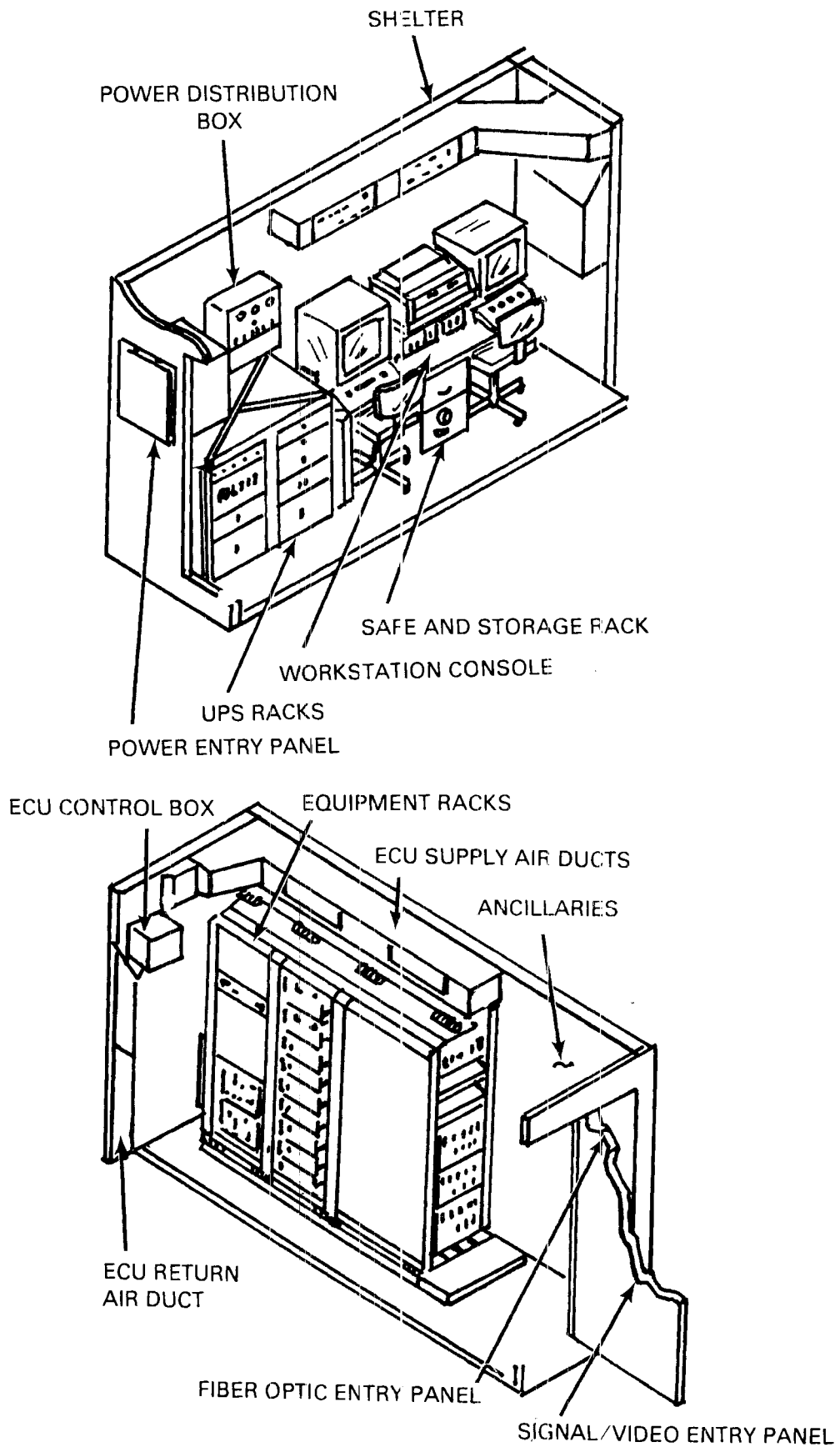
AN/TYQ-30(V)1 Shelter Layout (ADP Shelter)



AN/TYQ-30(V)1 Shelter Layout (Operations Shelter)



AN/TYQ-30(V)2 and AN/TYQ-31 Shelter Layout



AN/TYQ-32 Physical Layout

