

AN/TRC-24 Radio Set

Status: STD-B; NSN: 5820-00-503-1133

Reference: TM 11-5820-287-12

General Information

The AN/TRC-24 is a transportable, multichannel, VHF/UHF-FM radio set designed to operate with FDM telephone carrier equipment. It can accommodate 4 or 12 voice channels for telephone, teletypewriter, facsimile, data, or a combination of these services. Current tactical bulk encryption devices are not compatible with FDM multichannel equipment; therefore, secure operation with this system is not possible. Combination of the AN/TRC-24 with shelters, trucks, power units, and other major components forms various mobile radio repeater and terminal systems.

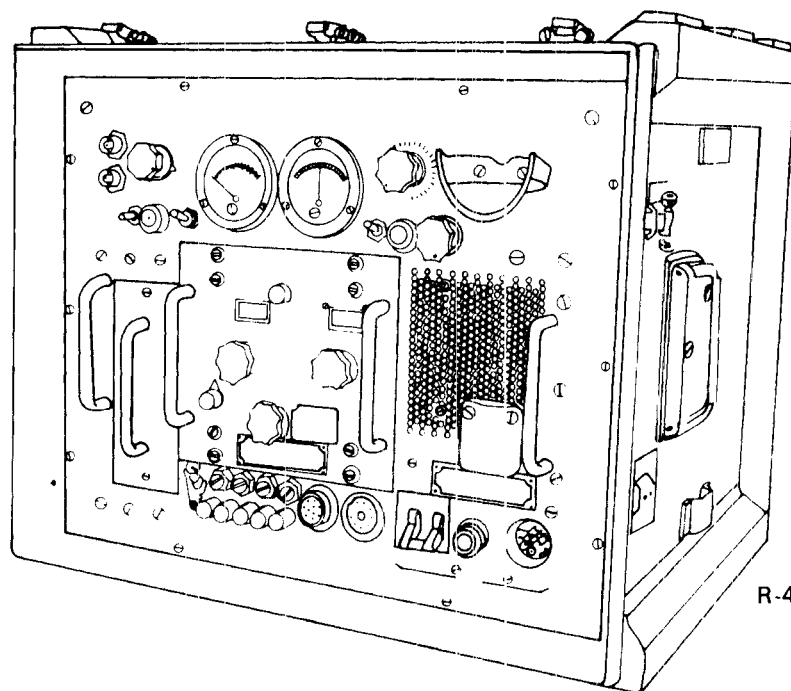
Technical Characteristics

Frequency Range-----A-Band, 50 to 100 MHz (200 channels in 0.25 MHz steps)
 B-Band, 100 to 225 MHz (250 channels in 0.5 MHz steps)
 C-Band, 225 to 400 MHz (175 channels in 1.0 MHz steps)
 D-Band, 400 to 600 MHz (133 channels in 1.5 MHz steps)
 F-Band, 790 to 965 MHz (500 channels in 0.5 MHz steps)
 J-Band, 1350 to 1875 MHz (1,350 channels in 0.25 MHz steps)

FREQUENCY SEPARATION TRANSMIT TO RECEIVE			
	Antennas on Same Mast	Antennas on Same Mast Cross-Polarized	Antennas on Separate Mast
A-Band	36 chan (9 MHz)	Not possible	5 chan (1.25 MHz)
B-Band	36 chan (18 MHz)	22 chan (11 MHz)	22 chan (11 MHz)
C-Band	28 chan (28 MHz)	11 chan (11 MHz)	11 chan (11 MHz)
D-Band	27 chan (40.5 MHz)	8 chan (12 MHz)	8 chan (12 MHz)

NOTE: Refer to TM 11-5820-287-12 for F- and J-band channel usage.

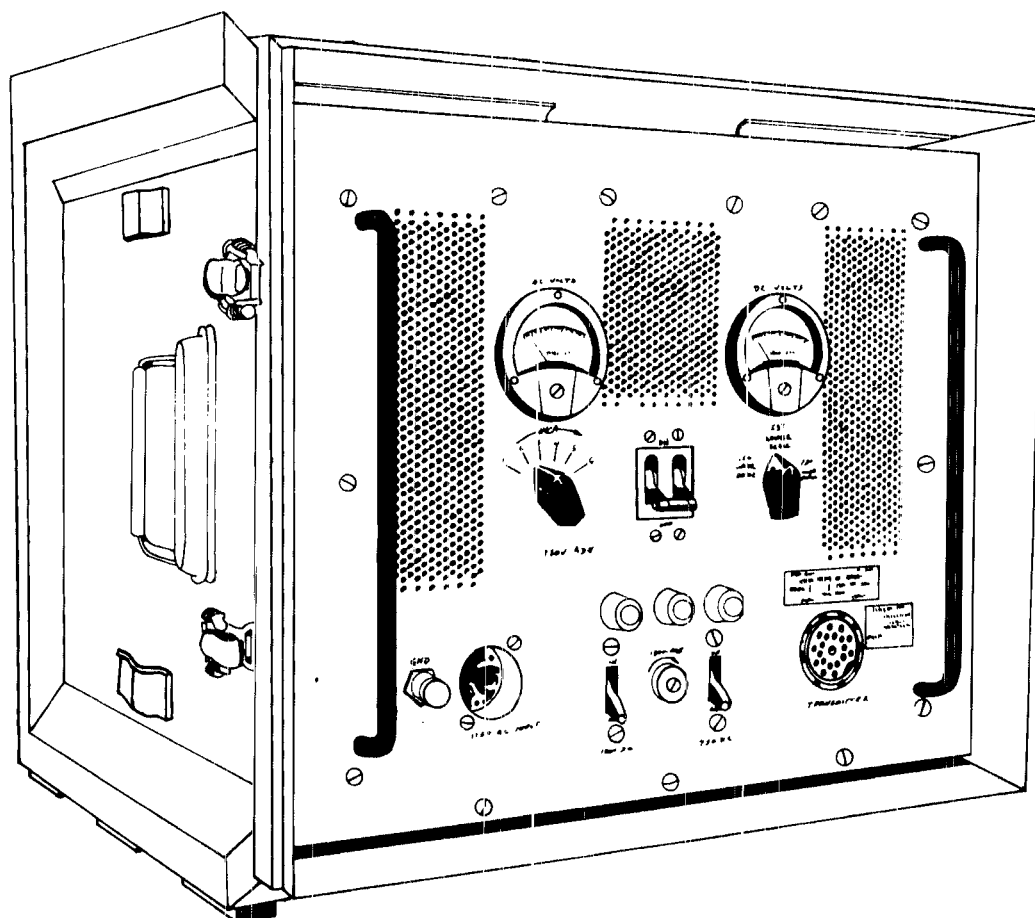
AN/TRC-24 Radio Set



R-417(*)/TRC

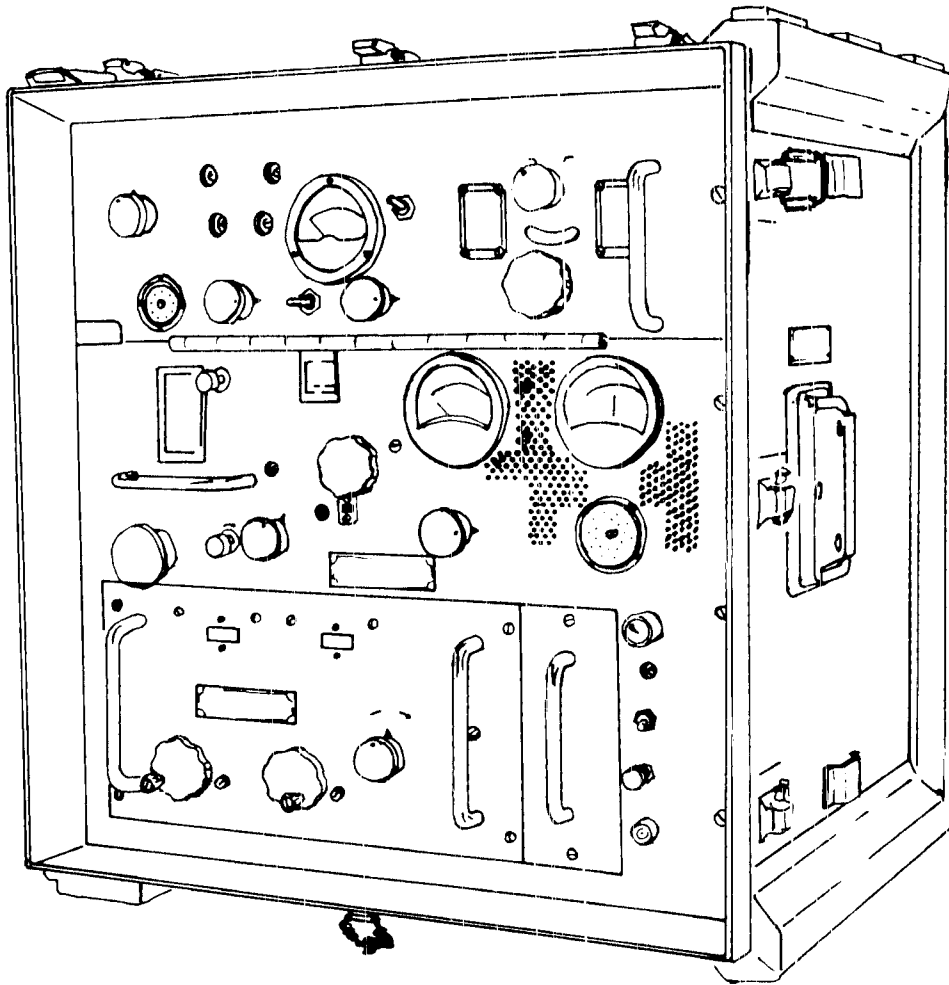
Planning Range-----	40 to 48 km (25 to 30 mi)
Number of Channels-----	See frequency range above
Power Input-----	115 V AC, 50 to 60 Hz
Power Output-----	10 to 120 W
Antenna-----	Antenna Group OA-1389/GRC and Accessories Group OA-1398/GRC provide the various types of antennas for operation in all frequency bands
Tuning-----	Continuous
Squelch-----	Carrier
Type of Service-----	200KF9W (A-Band), 400KF9W (B-Band), 600KF9W (C/D-Band), 750KF9W (F/J-Band); FDM multichannel only
Weight-----	214.7 kg (473 lb)

AN/TRC-24 Radio Set (continued)



PP-685()/TRC

AN/TRC-24 Radio Set (continued)



T-302()/TRC