

Section III. TACSATCOM Radio Sets

AN/PSC-3 and AN/VSC-7 TACSATCOM Radio Sets

Status: STD-A; NSN: 5820-01-145-4943
STD-A; NSN: 5820-01-090-5449

Reference: Not Available

General Information

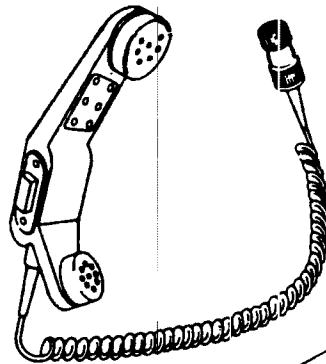
The AN/PSC-3 and AN/VSC-7 equipments are highly compact, lightweight, and deployable in quick-reaction situations where extended communication range is essential to mission effectiveness. The equipment has the capability of operating on-the-move/LOS at 2 W, or in the at-halt/satellite mode at 35 W and can transmit or receive in voice or data formats in both modes. The equipment can be used with Speech Security Equipment TSEC/KY-57 or TSEC/KY-65.

The AN/VSC-7 is used as a net control station and is mounted in a 1/4-ton vehicle or an S-280 communications shelter. It can serve up to 15 AN/PSC-3 terminals in a communications net with the selection of conference or individual call-codes available at the control converter C-1119()/VSC-7, front panel.

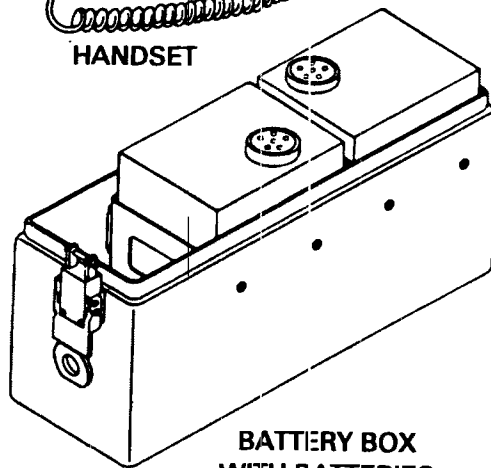
Technical Characteristics

Frequency Range-----	225 to 399.995 MHz, also 16-kb/s emergency voice communications over a 25-kHz satellite channel
Power Input-----	22-32 V DC
Power Output-----	SAT, 35 W; LOS, 2 W
Power Source-----	AN/PSC-3: Two BB-590/U NI-CAD batteries, two BA-5590/U lithium batteries, PP-6148()/U power supply, or G-76-(V)1/G DC generator AN/VSC-7: Vehicular power system or 110/220 V AC 50 to 400 Hz
Antenna-----	Omnidirectional whip antenna for LOS; medium-gain, collapsible antenna for at-halt communications SAT
Weight-----	RT-1402()/G with Battery Box CY-8006()/PSC-3, 7.27 kg (16 lb); Control Converter C-1119()/VSC-7, 17.73 kg (39 lb); Digital Message Device Group OA-8990()/P, 3.98 kg (8.75 lb)

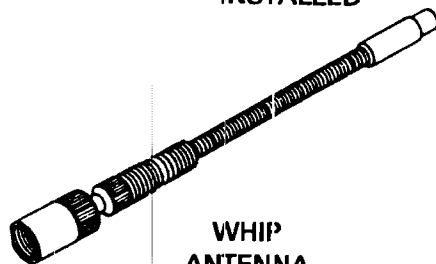
AN/PSC-3 TACSATCOM Radio Set



HANDSET

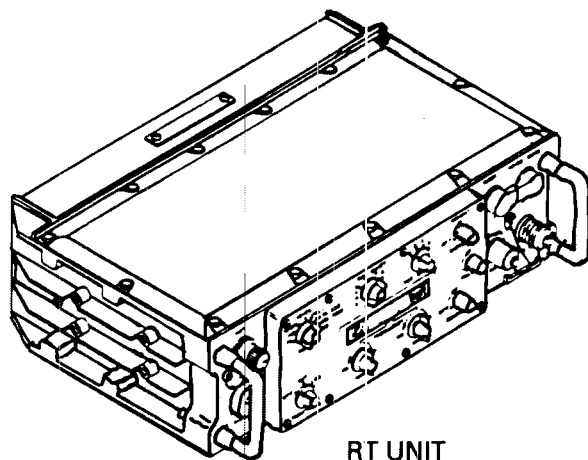


BATTERY BOX
WITH BATTERIES
INSTALLED

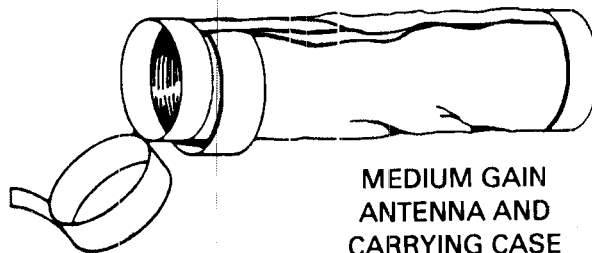
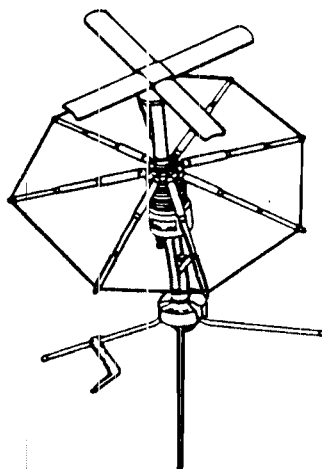


WHIP
ANTENNA
BASE

AN/PSC-3 TACSATCOM Radio Set (continued)



RT UNIT



MEDIUM GAIN
ANTENNA AND
CARRYING CASE

AN/VSC-7 TACSATCOM Radio Set

