

Section IV. Direction Finder Sets
AN/ARN-59(V)
Direction Finder Set

Status: STD-B; NSN: 5826-00-519-6967

Reference: TB 11-5826-217-30/1
 TB 43-0123

General Information

The AN/ARN-59(V) is a lightweight, airborne, radio compass set that automatically provides a visual bearing indication of the direction from which an incoming radio frequency signal is being received. It is used for automatic direction finding, position plotting, and aural reception of AM signals in the low-frequency radio range and the standard broadcast band.

Technical Characteristics

Frequency Range-----190 to 1750 kHz; Band 1, 190 to 400 kHz;
 Band 2, 400 to 840 kHz; Band 3, 840 to
 1750 kHz

Planning Range-----LOS

Number of Channels-----Any signal within the range of frequencies
 from 190 to 1750 kHz (mechanically
 tuned)

Power Input-----28 V DC

Power Source-----Aircraft power system

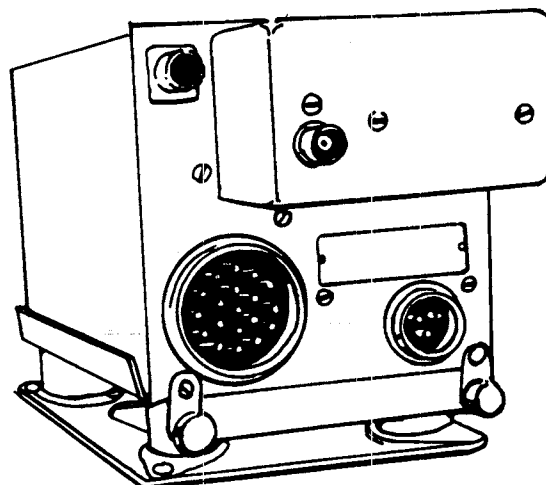
Antenna-----Wire type sense antenna and AT-780/ARN
 loop antenna

Tuning-----Mechanical

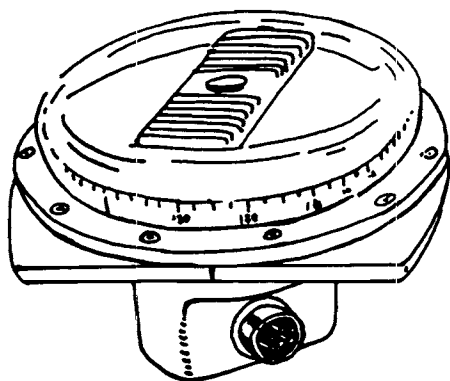
Type of Service-----OK00A2A, OK00A3E

Weight-----9.0 kg (19.8 lb)

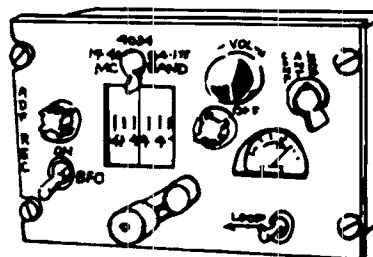
AN/ARN-59(V) Direction Finder Set



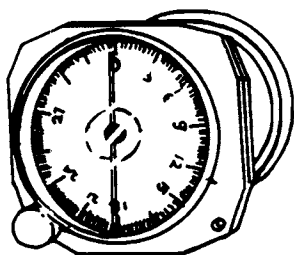
R-836/ARN



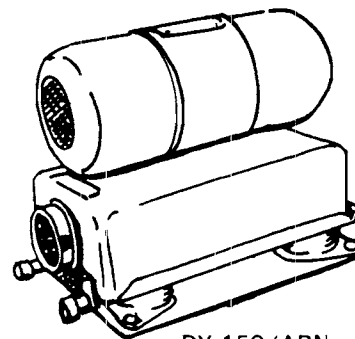
AT-780/ARN



C-2275/ARN



ID-637/ARN



DY-150/ARN