

### AN/ARC-164(V)12 Radio Set

Status: STD-A; NSN 5821-01-071-5624

Reference: TM 11-5841-286-13  
TM 11-5841-287-12 (pertains to AN/AKT-18B)

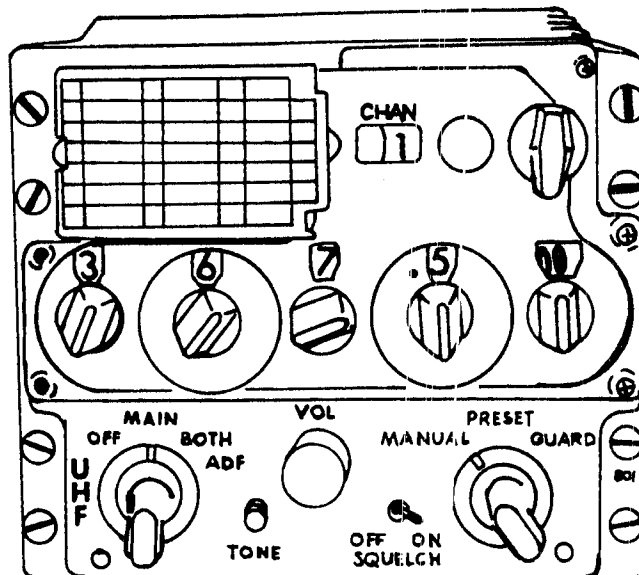
#### General Information

The AN/ARC-164(V)12 is a VHF/UHF-FM radio set that is configured to function as a radio communications link between two or more remotely located units. These may be air-to-ground, ground-to-ground, mobile-to-air, or other mobile units. The Army uses the AN/ARC-164(V)12 exclusively to transmit and to receive FSK modulated data in data link systems such as the AN/AKT-18B. It is considerably different from the RT-1167/ARC-164 which is used as a standard UHF-AM radio in most army aircraft.

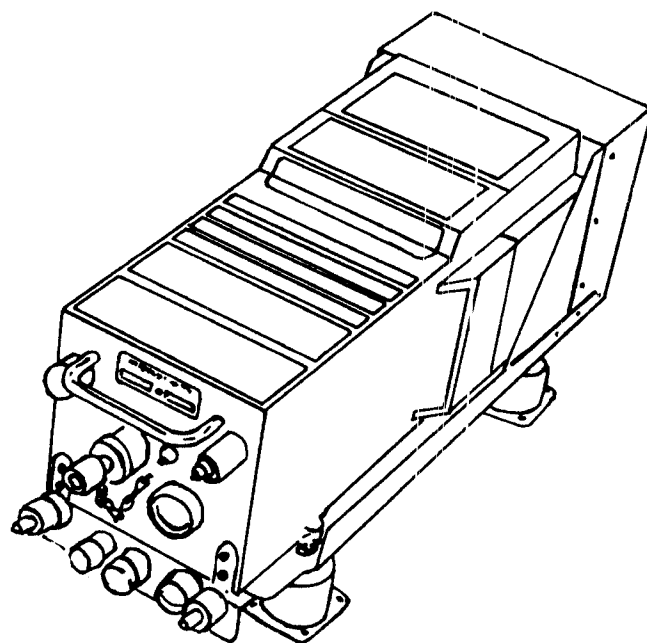
#### Technical Characteristics

Frequency Range-----	225.00 to 399.975 MHz
Number of Channels-----	7000
Operating Voltage-----	27.5 V DC (standard condition); 24 to 33 V DC (service condition); 18 V DC (emergency condition); 115 V AC, 400 Hz (all conditions)
Input Power-----	Receive: 40 W; transmitt: 30 W; modem/FM: 300 W
RF Power Output-----	30/100 W (FM/FSK)

### AN/ARC-164(V)12 Radio Set



RADIO SET CONTROL  
C-10547/ARC-164(V)



RECEIVER-TRANSMITTER,  
RADIO  
RT-1288/ARC-164(V)