

Section V. Navigations Sets AN/APX-44() Transponder Set

Status: STD-A; NSN: 5895-00-686-7772 (AN/APX-44)
 STD-A; NSN: 5895-00-926-2509 (AN/APX-44B)

Reference: TM 11-5895-217-12
 TB 43-0123

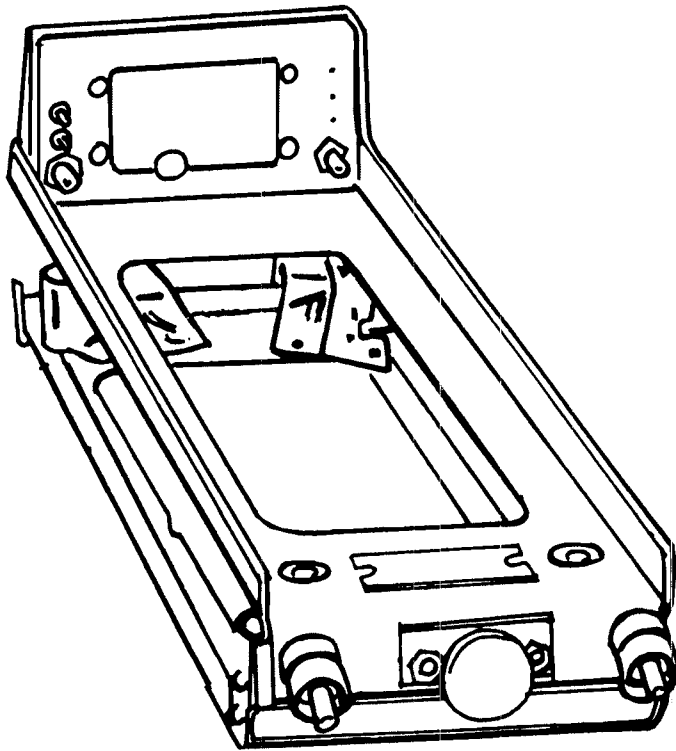
General Information

The AN/APX-44 receives, decodes, and responds to the characteristic interrogations of the mark X IFF system when supplemented by the SIF. It also responds to the interrogations of civil secondary ground radar systems. The AN/APX-44 is used to transmit a specially coded reply to a ground-based IFF radar interrogator system. The form of the coded reply permits positive identification of the aircraft and, if desired, its position.

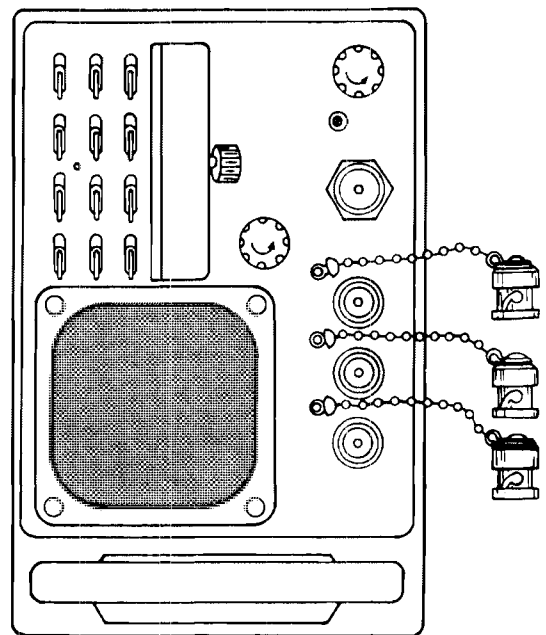
Technical Characteristics

Frequency Range:
 Transmit-----One preset frequency 1090 to 1110 MHz
 Receive-----One preset frequency 1010 to 1030 MHz
Planning Range-----LOS
Number of Channels:
 Transmit-----1
 Receive-----1
Power Input-----27.5 V DC
Power Source-----Aircraft power system
Antenna-----AT-884/APX-44, vertically polarized,
 omnidirectional
Weight-----12.4 kg (27.3 lb)

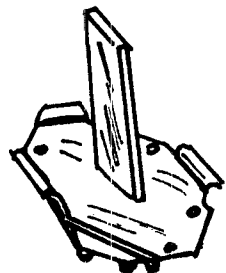
**AN/APX-44()
Transponder Set**



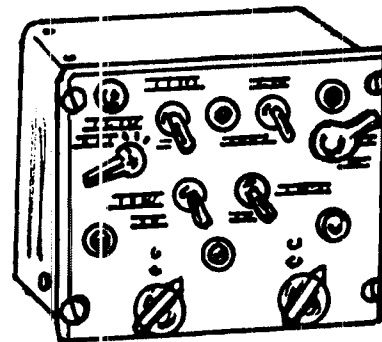
MOUNTING
MT-2160/APX-44



RECEIVER-TRANSMITTER, RADAR
RT-494/APX-44



ANTENNA
AT-864/APX-44



CONTROL, TRANSPONDER SET
C-2714/APX-44