

**TA-312/PT and TA-43/PT
Telephone Sets**

NSN: 5805-00-543-0012 (TA-312/PT)
6805-00-503-2775 (TA-43/PT)

Reference: TM 11-5805-201-12 (TA-312/PT)
TM 11-5805-256-13 (TA-43/PT)

General Information

The TA-312/PT and the TA-43/PT are two-wire, battery-operated field telephones. They may be used in a point-to-point wire system or in any two-wire ring-down subscriber position of a telephone communications system. The Handset H-60 contains a push-to-talk switch which connects power for talking. The TA-312/PT has a built-in Receptacle Connector U-79/U for use with a headset and an associated EXT-INT switch; the TA-43/PT does not. The TA-43/PT is being replaced by the TA-312/PT. The TA-955 dual tone multifrequency (DTMF) adapter allows push button operational interface with automatic analog switches.

Technical Characteristics

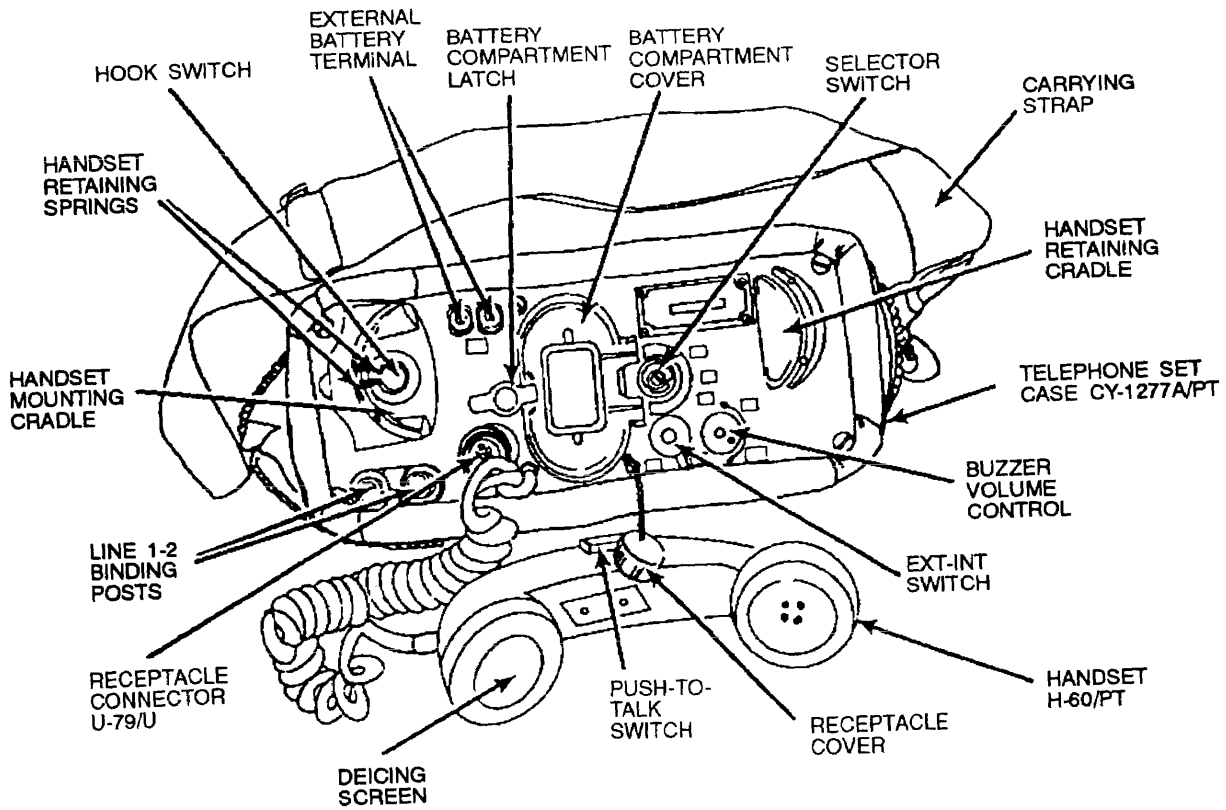
Range:

Wet Approximately 22.5 km (14 mi) on WD-1/TT
(36 dB working limit)
Dry Approximately 36.4 km (22 mi) on WD-1/TT
(36 dB working limit)

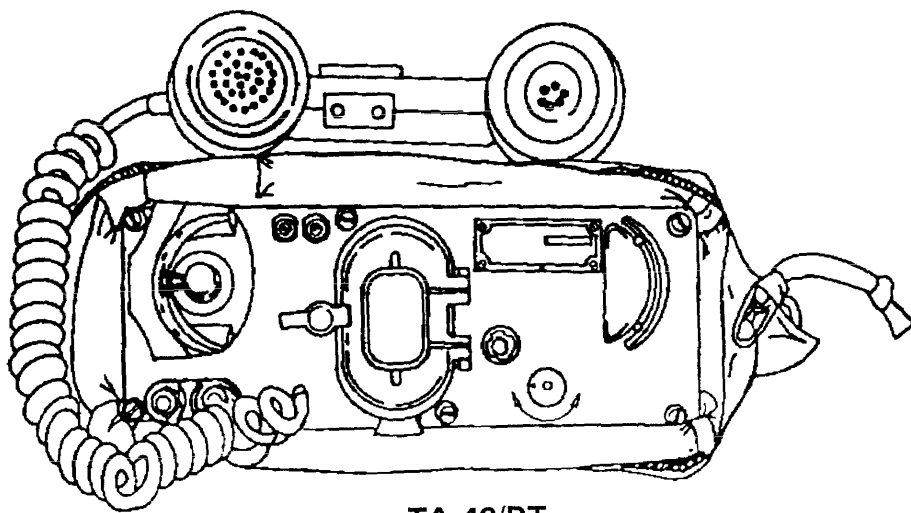
Type of Operation:

Common Battery Voice transmission and signaling
power supplied by switchboard
Local Battery Voice transmission power supplied
by two BA-30s, signaling power
supplied by a hand-crank generator
Common-Battery Signaling Signaling power supplied by
switchboard, voice transmission
provided by two BA-30s
Signaling (Outgoing) Hand generated, 90 to 100 V AC, 20 Hz
Signaling (Incoming) Audible tone, adjustable volume

TA-312/PT and TA-43/PT Telephone Sets



TA-312/PT



TA-43/PT