

Section IV. Small Extension Node

AN/TTC-48(V) Small Extension Node Switch

NSN: 5805-01-245-9058 (AN/TTC-48(V)1)
5805-01-244-4257 (AN/TTC-48(V)2)
5805-01-309-4650 (AN/TTC-48A(V)1)
5805-01-310-2539 (AN/TTC-48A(V)2)
5805-01-324-0861 (AN/TTC-48B(V)1)
5805-01-324-0862 (AN/TTC-48B(V)2)
5805-01-329-4802 (AN/TTC-48C(V)1)
5805-01-329-4808 (AN/TTC-48C(V)2)
5805-01-329-4809 (AN/TTC-48C(V)3)
5805-01-329-4810 (AN/TTC-48C(V)4)

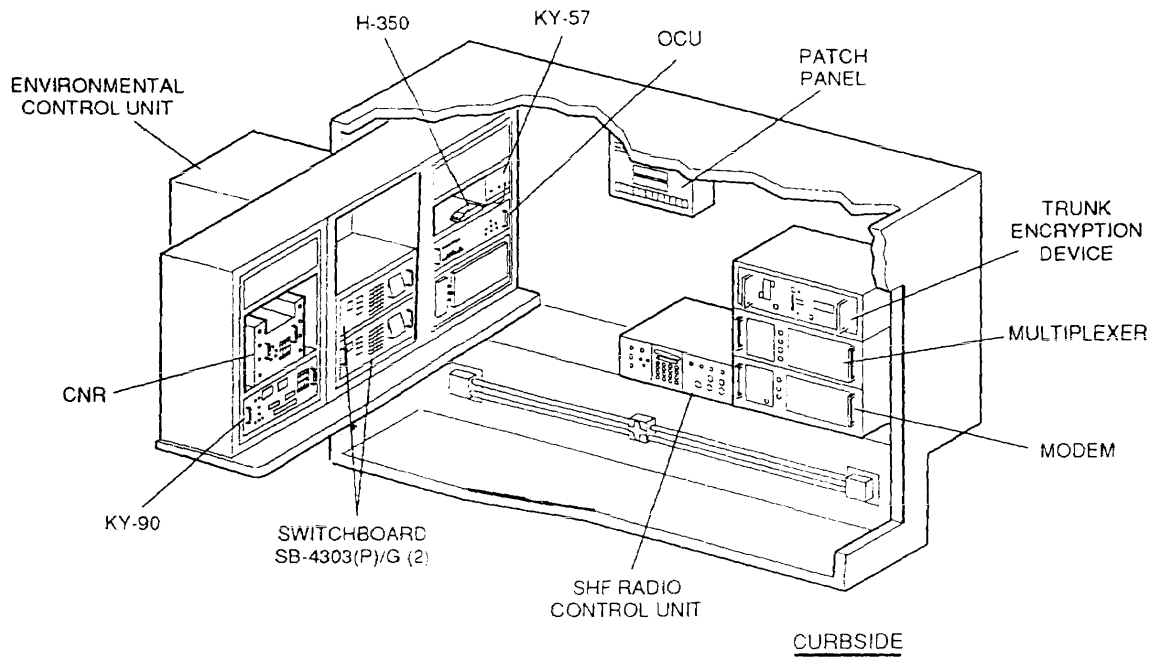
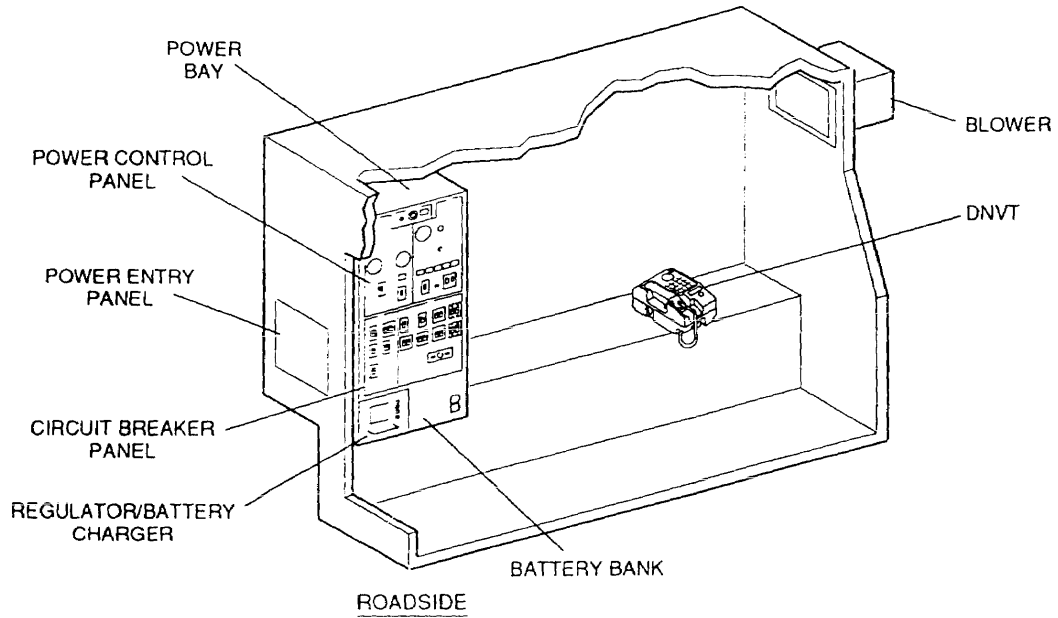
Reference: TM 11-5805-764-13

General Information

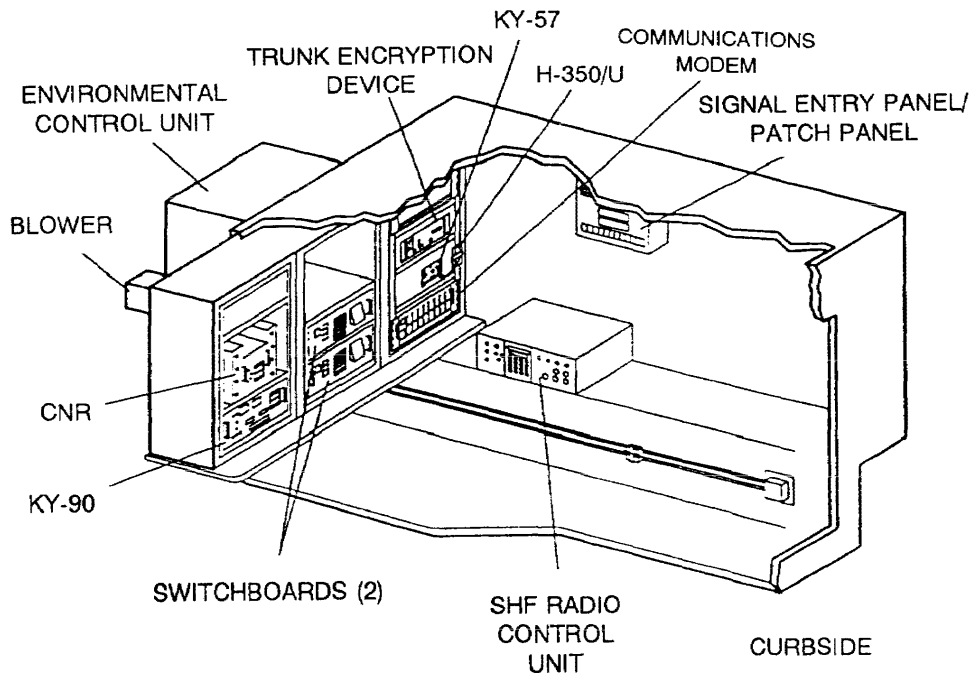
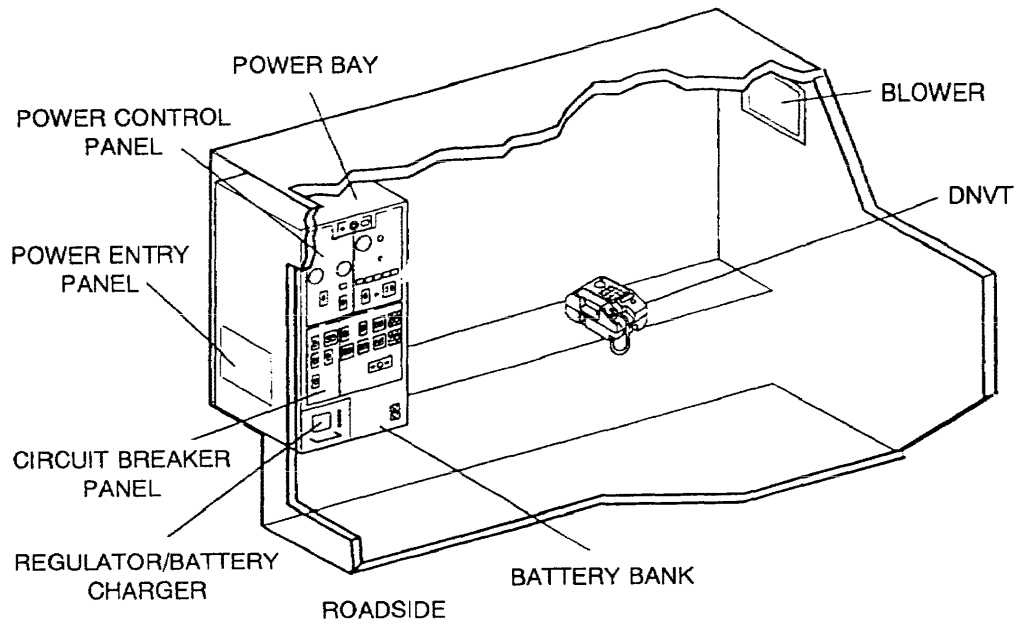
The SEN switch consists of an S-2500/E shelter transported on an M-1037 HMMWV. The SEN switch contains switching, multiplexing, and COMSEC equipment which supports the secure digital communications of a CP. The SEN switch is provided in ten versions. The (V)1 provides 26-digital lines and 10-digital trunks and the (V)2 provides 41-digital lines and 13-digital trunks. Both versions provide 2 DC closure commercial office interfaces and a Secure Digital Net Radio Interface KY-90. The SEN switch can interface with a LEN switch or an NC switch directly via CX-11230/G cable, via LOS or via TACSAT Terminal AN/TSC-85A or AN/TSC-93A. Power is provided by a PU-753/M, 10 kW, trailer-mounted, diesel generator set.

NOTE The following five configurations show the shelter layouts for all ten versions.

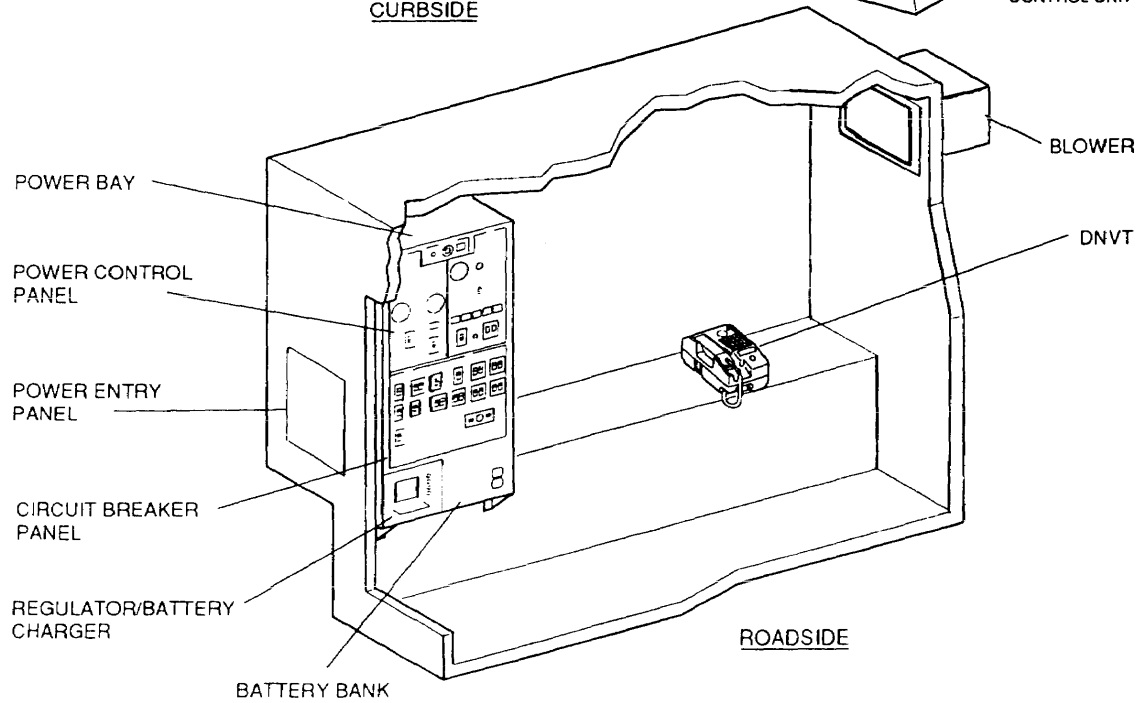
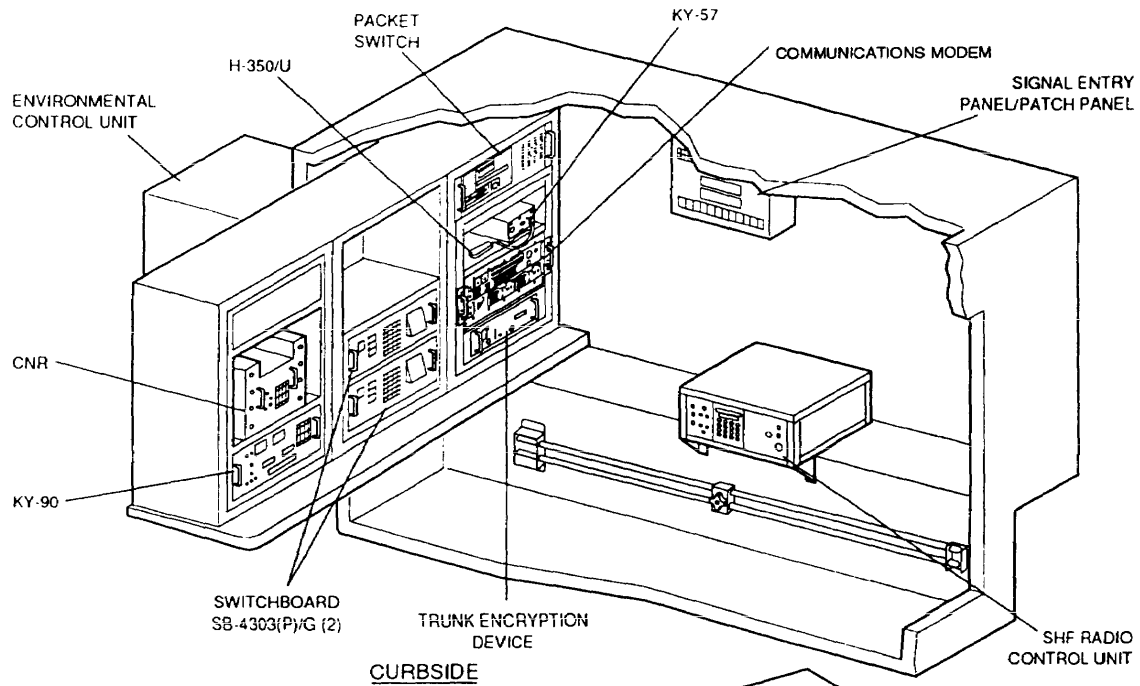
AN/TTC-48(V)1 and AN/TTC-48(V)2 Small Extension Node Switch



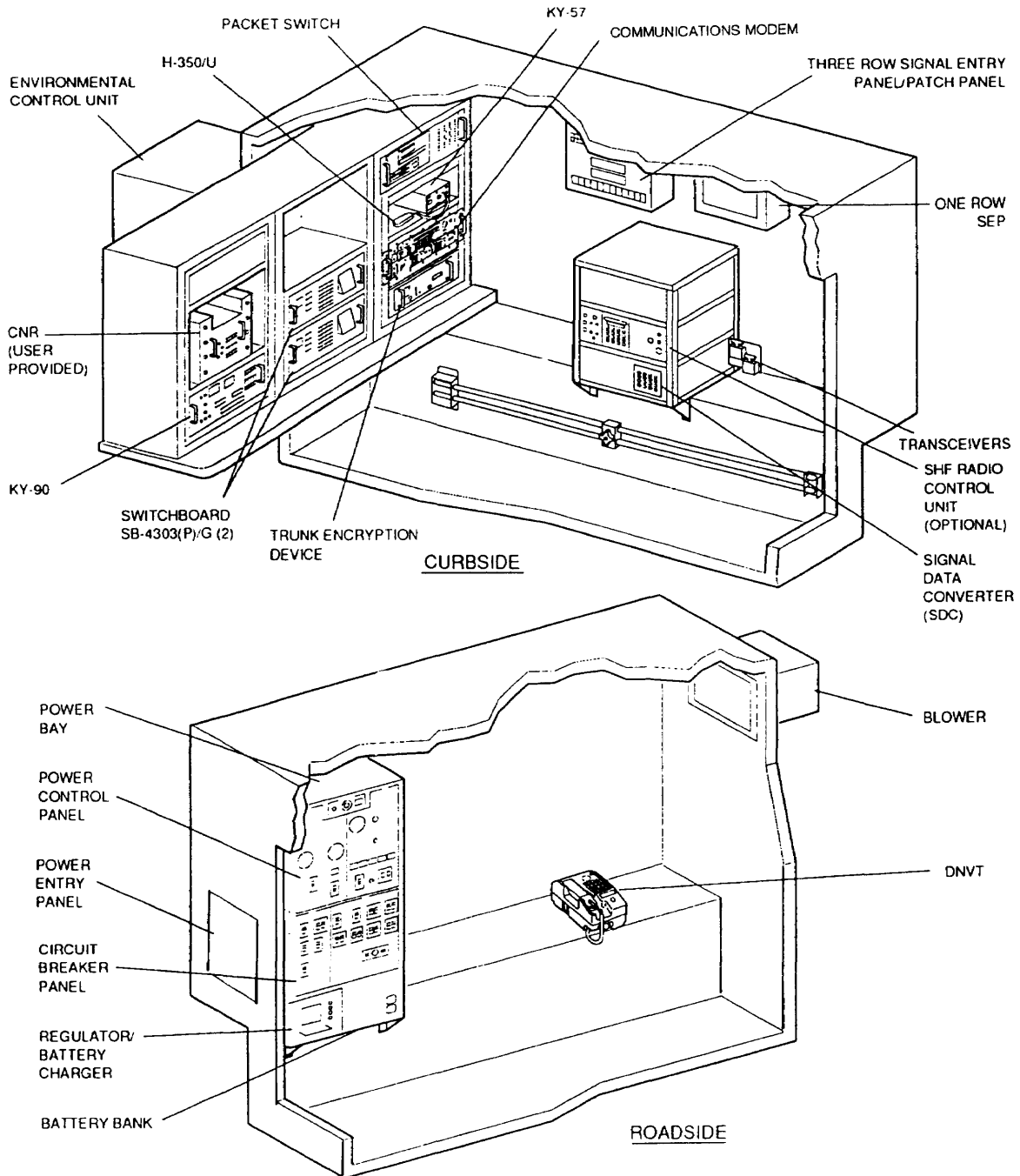
AN/TTC-48A(V)1 and AN/TTC-48A(V)2 Small Extension Node Switch



AN/TTC-48B(V)1 and AN/TTC-48B(V)2 Small Extension Node Switch



AN/TTC-48C(V)1 and AN/TTC-48C(V)2 Small Extension Node Switch



AN/TTC-48C(V)3 and AN/TTC-48C(V)4 Small Extension Node Switch

