

FM 24-24

**AN/TTC-47
Node Center Switch**

NSN: 5805-01-246-7159 (AN/TTC-47)
5805-01-310-2540 (AN/TTC-47A(V)I)
5805-01-324-6854 (AN/TTC-47B(V)I)
5805-01-329-4805 (AN/TTC-47C(V)I)

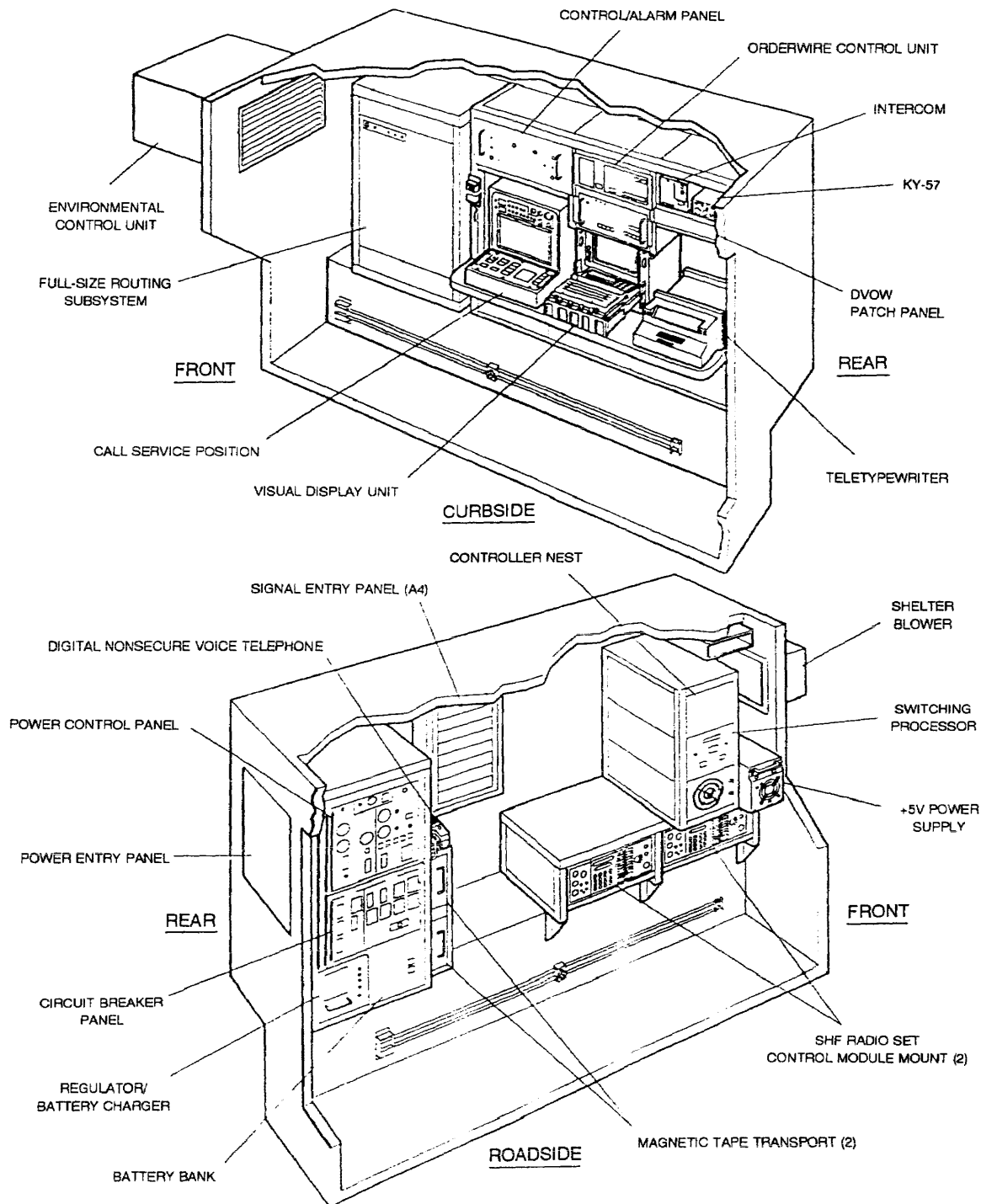
Reference: TM 11-5805-766-12

General Information

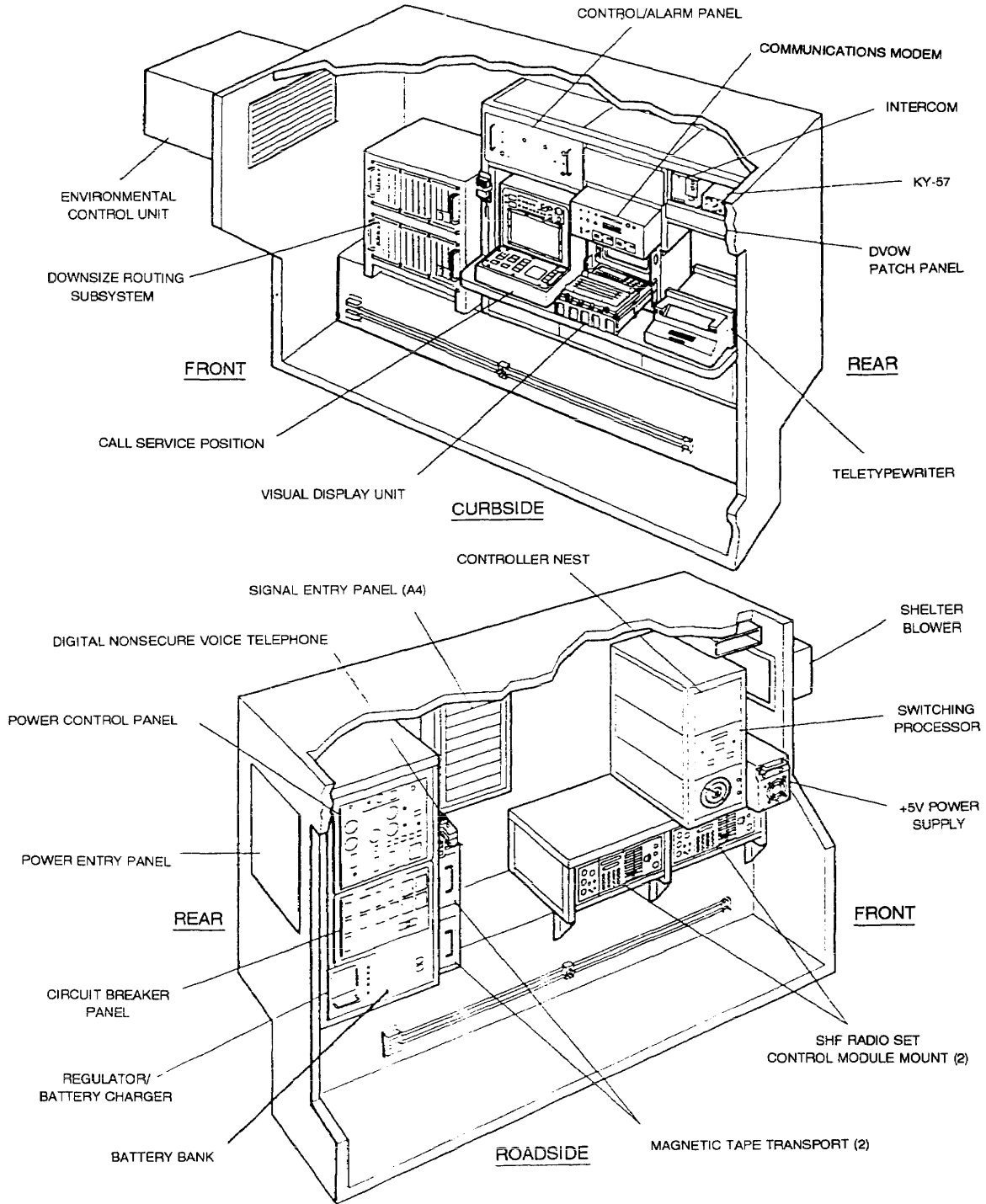
The AN/TTC-47 is configured in two S-250()/G shelters, a Switching Group ON-306/TTC-47 and an Operations Group OL-413/TTC-47, each transported on an M-1037 HMMWV. The NC switch is the hub of the MSE node providing network interface for the subscriber access elements. The switching group provides the external interface, circuit switching, and associated functions. The operations group provides the central processing and operator interface functions. The NC switch provides automatic subscriber finding features which allow permanent subscriber address assignment and negates the need for knowledge of subscriber geographical location and switch affiliation at the subscriber level. Power to both assemblages is provided by a PU-753/M, 10 kW, trailer-mounted, diesel generator set.

NOTE: The following six configurations show the shelter layouts for all four versions.

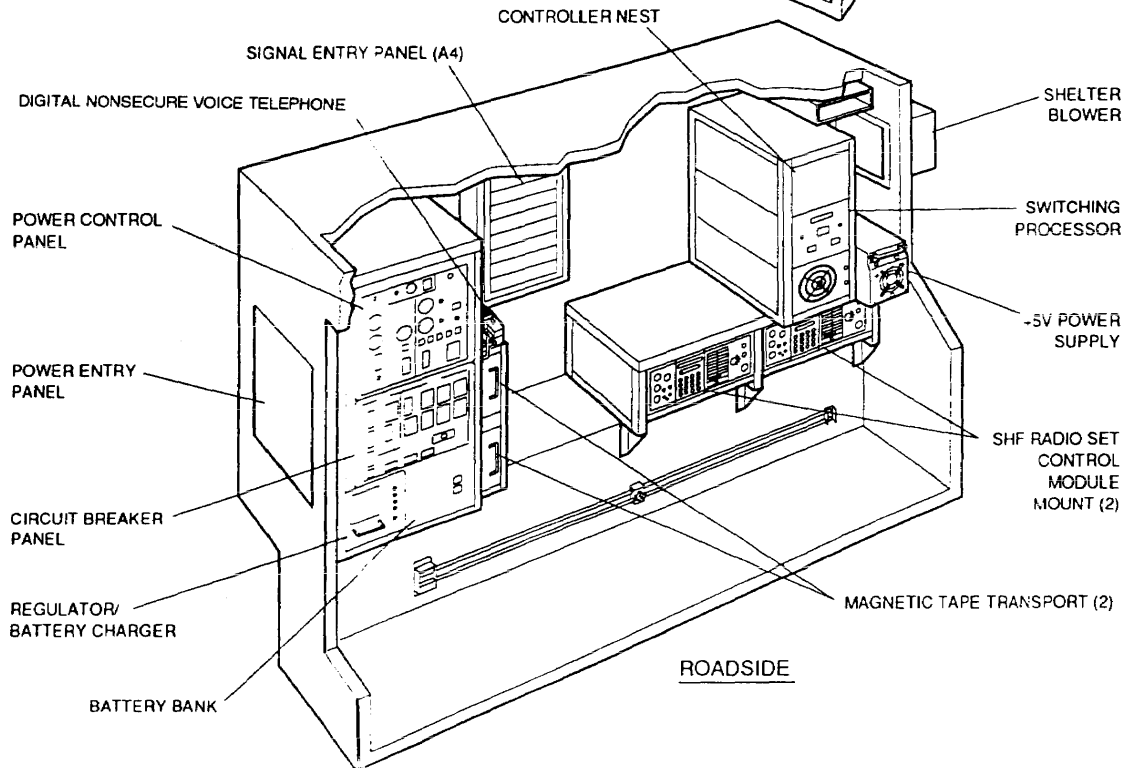
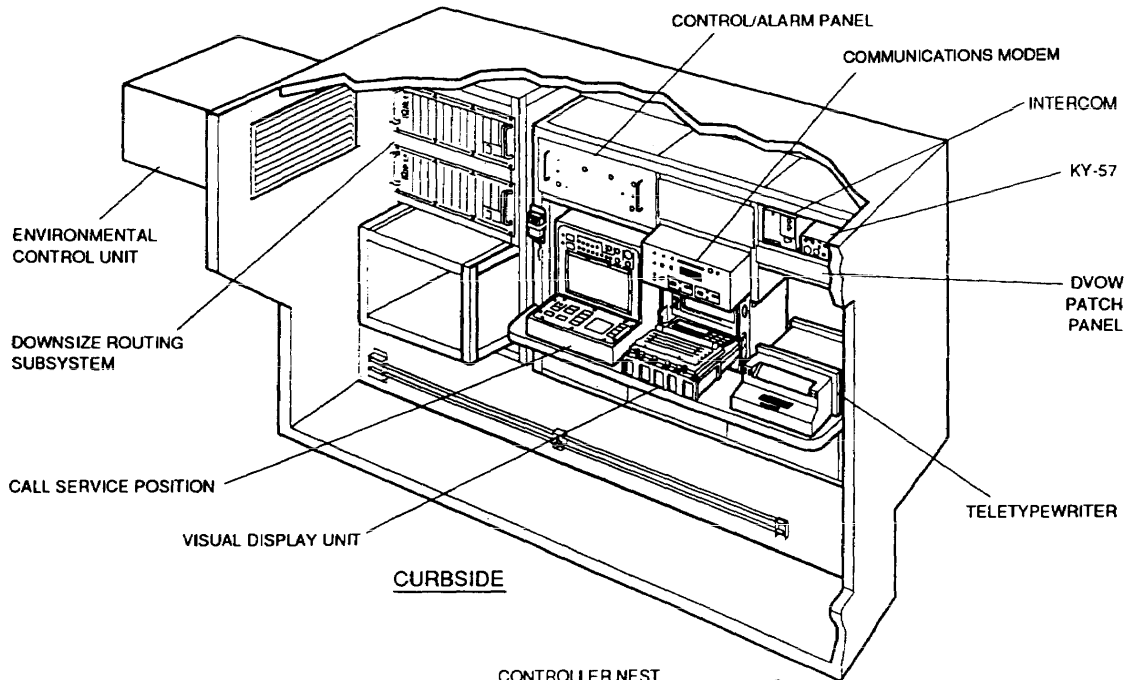
AN/TTC-47 Node Center Operations Shelter



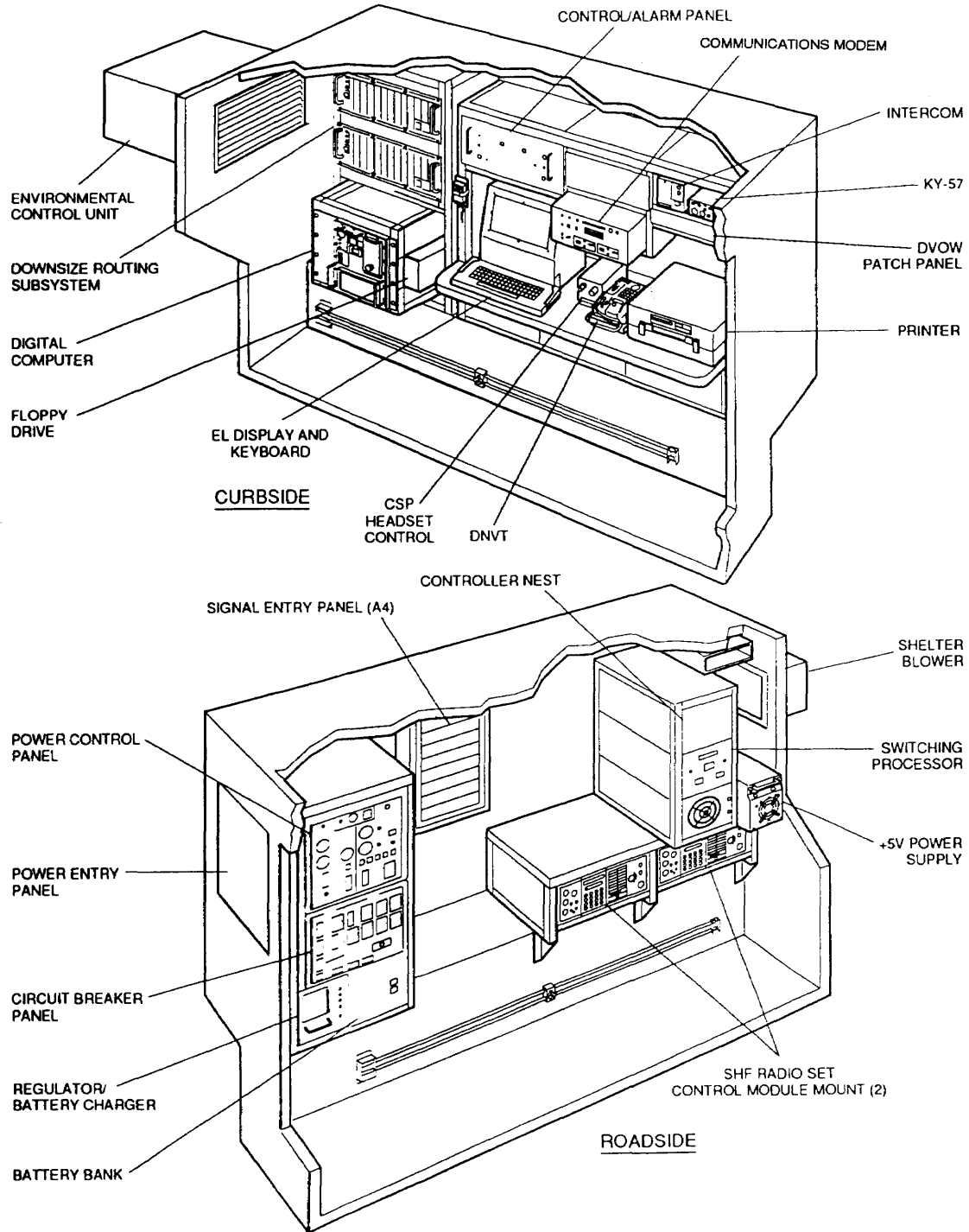
AN/TTC-47A(V)1 Node Center Operations Shelter



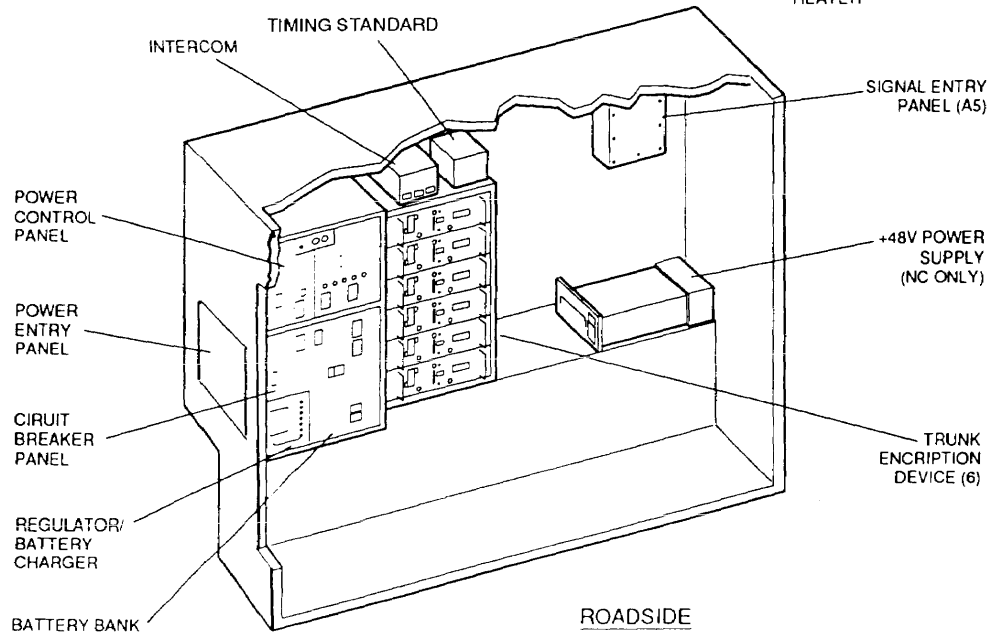
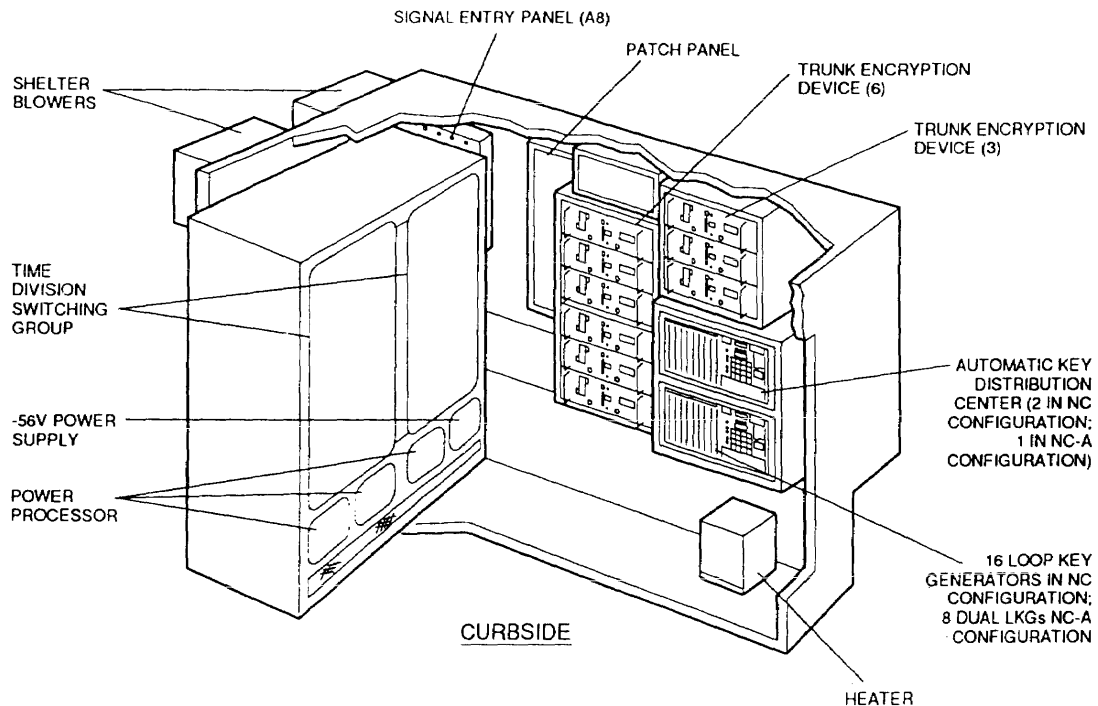
AN/TTC-47B(V)1 Node Center Operations Shelter



AN/TTC-47C(V)1 Node Center Operations Shelter



AN/TTC-47 and AN/TTC-47A(V)1 Node Center Switching Shelter



AN/TTC-47B(V)1 and AN/TTC-47C(V)1 Node Center Switching Shelter

