

**AN/TRC-175
Radio Terminal Set**

NSN: 5820-01-161-9421

Reference: TM 11-5820-931-12-1

General Information

The AN/TRC-175 is a transportable, secure radio/cable tactical communications assemblage, capable of multiple system deployment. It provides SRWBR transmission facilities for bottom-of-hill nodes. It operates as a SRWBR terminal or cable terminal for high speed cable systems and can terminate up to two 576 digital channel systems. The AN/TRC-175 is employed at the bottom-of-the-hill node to provide a SRWBR link up to 8 km (5 mi) with the AN/TRC-138A located at the top-of-the-hill radio park. The AN/TRC-175 is compatible with TRI-TAC.

Major Components

- 1 Shelter S-591
- 1 Alarm Status Indicator ID-2324(V)4TRC
- 2 Radio Sets AN/GRC-144(V)3
- 2 Multiplexer TD-1237(P)/G
- 1 Loop Encryption Device TSEC/KG-84
- 2 Cable Modem Drivers MD-1024/G
- 4 Digital Data Modems MD-1026(P)/G
- 1 Voice Encryption Device TSEC/KY-57
- 1 Orderwire Control Unit C-10717/TRC
- 1 Intercommunications Station LS-147F/FI

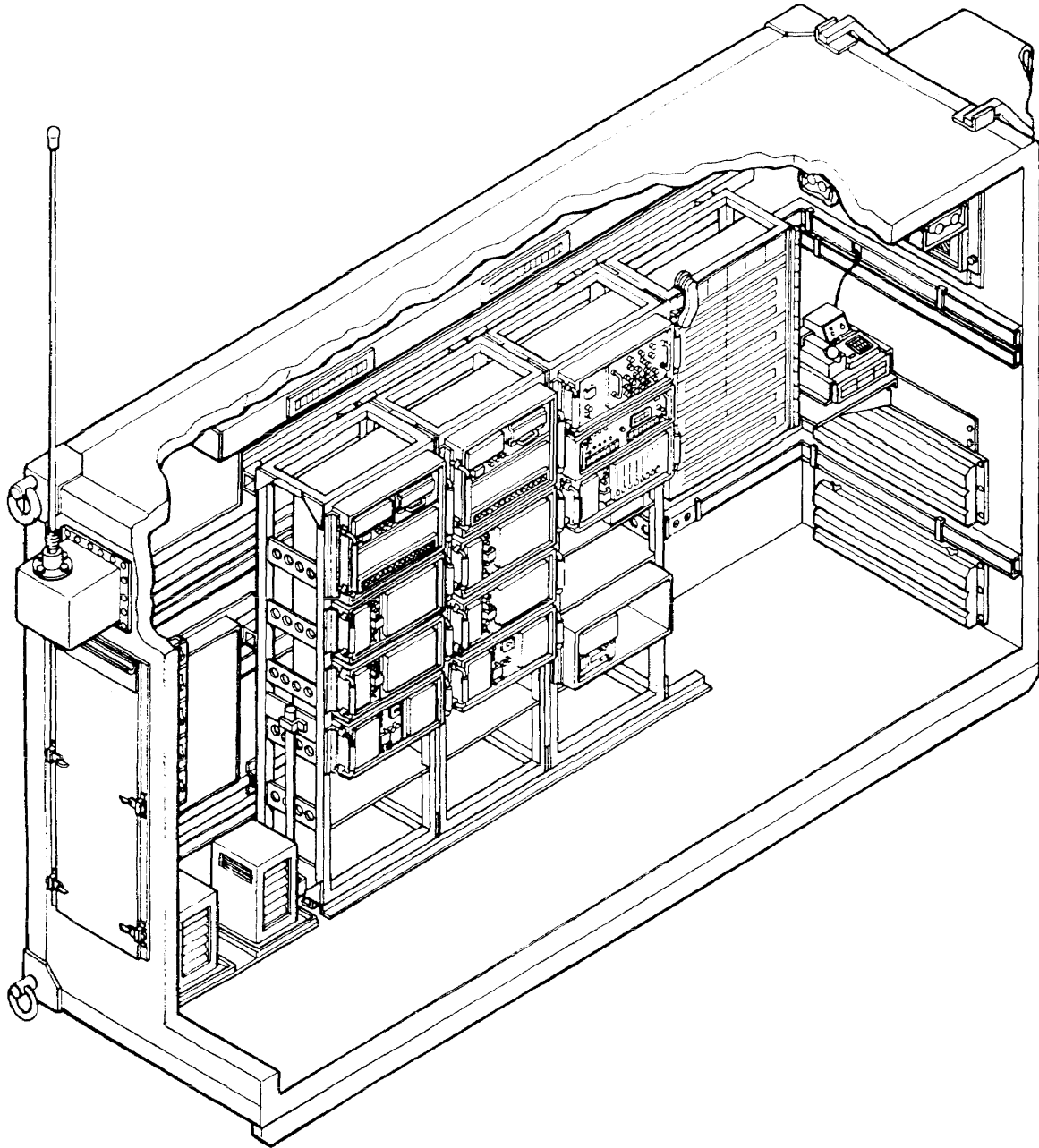
Technical Characteristics

Frequency Range AN/GRC-144(V)3	4.4 to 5.0 GHz
Transmission Range AN/GRC-144(V)3	8 km (5 mi) at 18.72 mb/s; 24 km (15 mi) at 9.36 mb/s
Cable Driver Modem	8 km (5 mi) (with repeaters)
RF Output	250 mW
Channelization	TDM
Number of Channels	SRWBR 576-channel link (with AN/TRC-138A)
Orderwires:	
Digital Voice	16 kb/s
Analog Voice	300 to 1800 Hz at 3 dB bandwidth points
Power Requirement	115 V AC, ± 6 volts, 50, 60, 400 Hz, 3-phase
Weight	2,338 kg (5,150 lb)

FM 24-24

AN/TRC-175 Radio Terminal Set

Roadside



AN/TRC-175 Radio Terminal Set

Curbside

