

**AN/PSC-3 and AN/VSC-7
Tactical Satellite Communications Radio Sets**

NSN: 5820-01-145-4943
5820-01-090-5449

Reference: TM 11-5895-1180-10
TM 11-5895-1181-10

General Information

The AN/PSC-3 and AN/VSC-7 equipment is compact, lightweight, and deployable in quick-reaction situations where extended communication range is essential to mission effectiveness. The equipment can operate on-the-move/LOS at 2 W, or in the at-halt/satellite mode at 35 W and can transmit or receive in voice or data formats in both modes. The equipment can be used with Speech Security Equipment TSEC/KY-57 or TSEC/KY-99. The AN/VSC-7 is used as a net control station (NCS) and is mounted in a 1/4 ton vehicle or an S-280 communications shelter. It can serve up to 15 AN/PSC-3 terminals in a communications net with the selection of conference or individual call-codes available at the control converter C-11190/VSC-7, front panel.

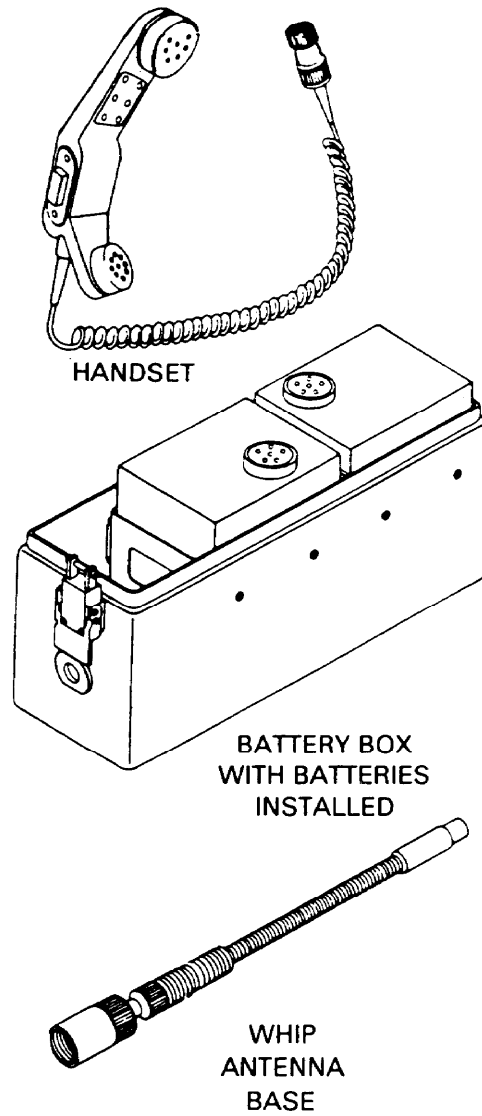
Technical Characteristics

Bandwidth	Transmit/receive on 5 to 25 kHz
Frequency Range	225 to 399.995 MHz, also 16-kb/s emergency voice communications over a 5 and 25-kHz satellite channel
Power Input	22 -32 V DC
Power Output	SAT, 35 W; LOS, 2 W
Power Source	AN/PSC-3: Two BB-590/U NI-CAD batteries, two BA-5590/U lithium batteries, PP-61480/U power supply or G-76 (V)1/G DC generator AN/VSC-7: Vehicular power system or 110/220 V AC 50 to 400 Hz
Antenna	Omnidirectional whip antenna for LOS; medium-gain, collapsible antenna for at-halt communications satellite

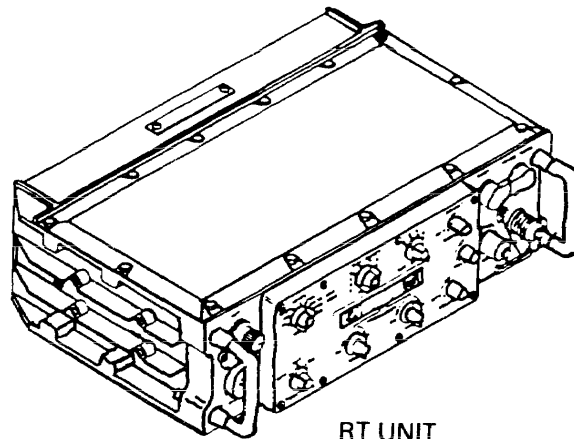
**Technical Characteristics
(Cont.)**

Weight RT-1402()/G with Battery Box CY-8006()/PSC-3, 7.27 kg (16 lb);
Control Converter C-1119()/VSC-7, 17.73 kg (39 lb);
Digital Message Device Group OA-8990()/P, 3.98 kg (8.75 lb)

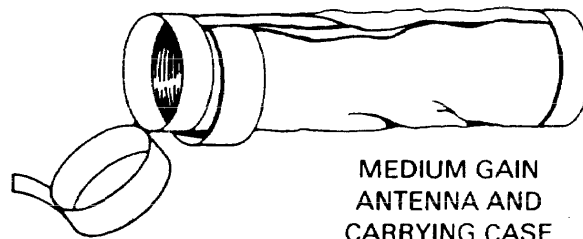
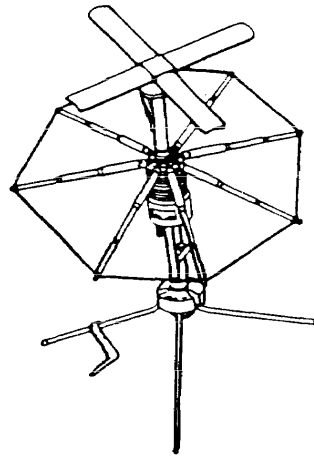
**AN/PSC-3
Tactical Satellite Communications Radio Set**



AN/PSC-3 Tactical Satellite Communications Radio Set (Cont.)



RT UNIT



MEDIUM GAIN
ANTENNA AND
CARRYING CASE

AN/VSC-7 Tactical Satellite Communications Radio Set

