

### AN/GSC-40(V) and AN/MS-64(V) Special Communications Systems

- NSN: 5895-01-088-9270 (AN/GSC-40)  
5895-01-146-3875 (AN/GSC-40A(V)1)  
5895-01-146-3874 (AN/GSC-40A(V)2)  
5895-01-112-5836 (AN/MS-64(V)1)  
5895-01-088-2769 (AN/MS-64(V)2)  
5895-01-112-5838 (AN/MS-64(V)3)

- Reference: TM 11-5895 -1104-10-1 (AN/MS-64(V))  
TM 11-5895 -1104-10-2 (AN/MS-64(V))

#### General Information

The Special Communications System (SCS) is a UHF SATCOM system operated and maintained by the Army, Navy, and Air Force and consists of SATCOM Terminals AN/GSC-40, AN/GSC-40A(V) and AN/MS-64(V). The terminals are normally deployed in a network configuration. The AN/GSC-40, AN/GSC-40A(V)1, and AN/GSC-40A(V)2 are CP terminals configured to provide the specific SCS network command and control functions and the means for disseminating highly specialized critical user information. The AN/MS-64(V) is referred to as the mobile terminal since it predominately supports users requiring rapid redeployment.

#### Technical Characteristics

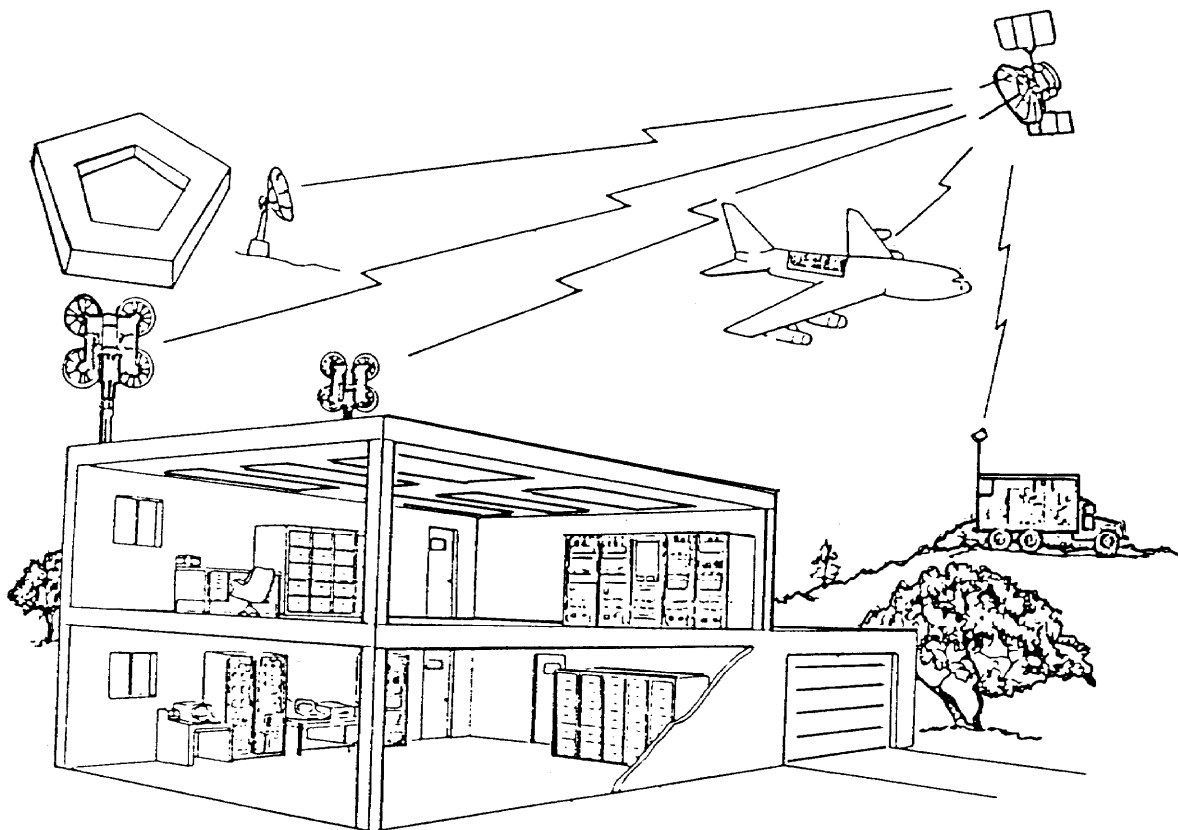
AN/GSC-40/40A(V):  
Frequency Range ..... 225 to 400 MHz  
Security Device ..... one TSEC/KG-31  
two TSEC/KG-34s  
three TSEC/KN-2s  
Power Input ..... 115/230 V AC, 50/60Hz  
Power Output ..... 100 W  
Antenna ..... AN/GSC-40: two high-gain AS-3060/G  
AN/GSC-40A(V)1/2: four high-gain AS-3060/G

AN/MS-64(V):  
Type of Service ..... UHF half-duplex AFSAT mode  
(includes TDM 3, TDM 1/2, and  
random modes of operation)  
Frequency Range ..... 225 to 399.975 MHz  
Number of Channels ..... 7,000

### Technical Characteristics (Cont.)

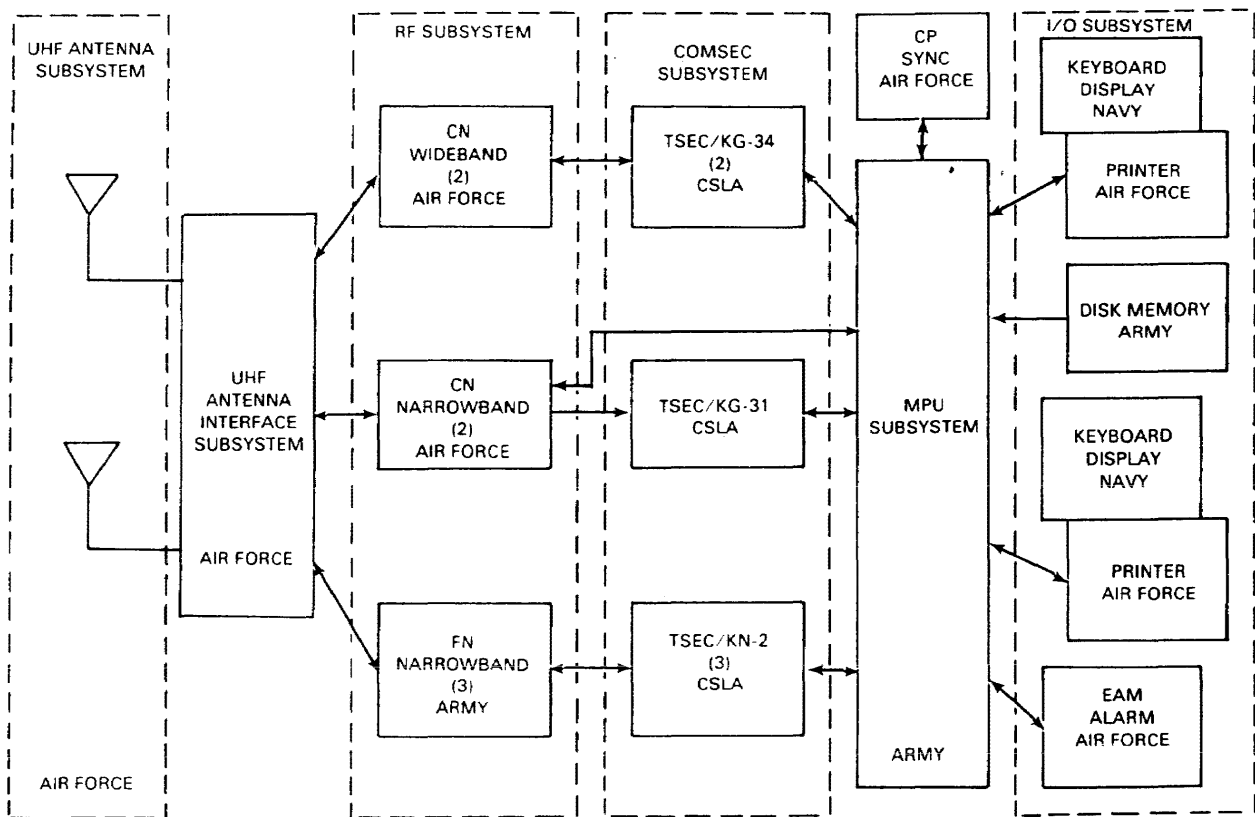
Security Device .....	TSEC/KN-2
Power Input .....	Mobile, 28 V DC at 100 amp; stationary, 115/230 V AC, 50/60 Hz at 10 kw
Power Output .....	10 to 100 W
Antenna .....	Low-gain AS-3439/G, omnidirectional high-gain AS-3438/G, directional
Weight .....	1,697 kg (3,738 lb) (approximately)

### AN/GSC-40(V) Special Communications System



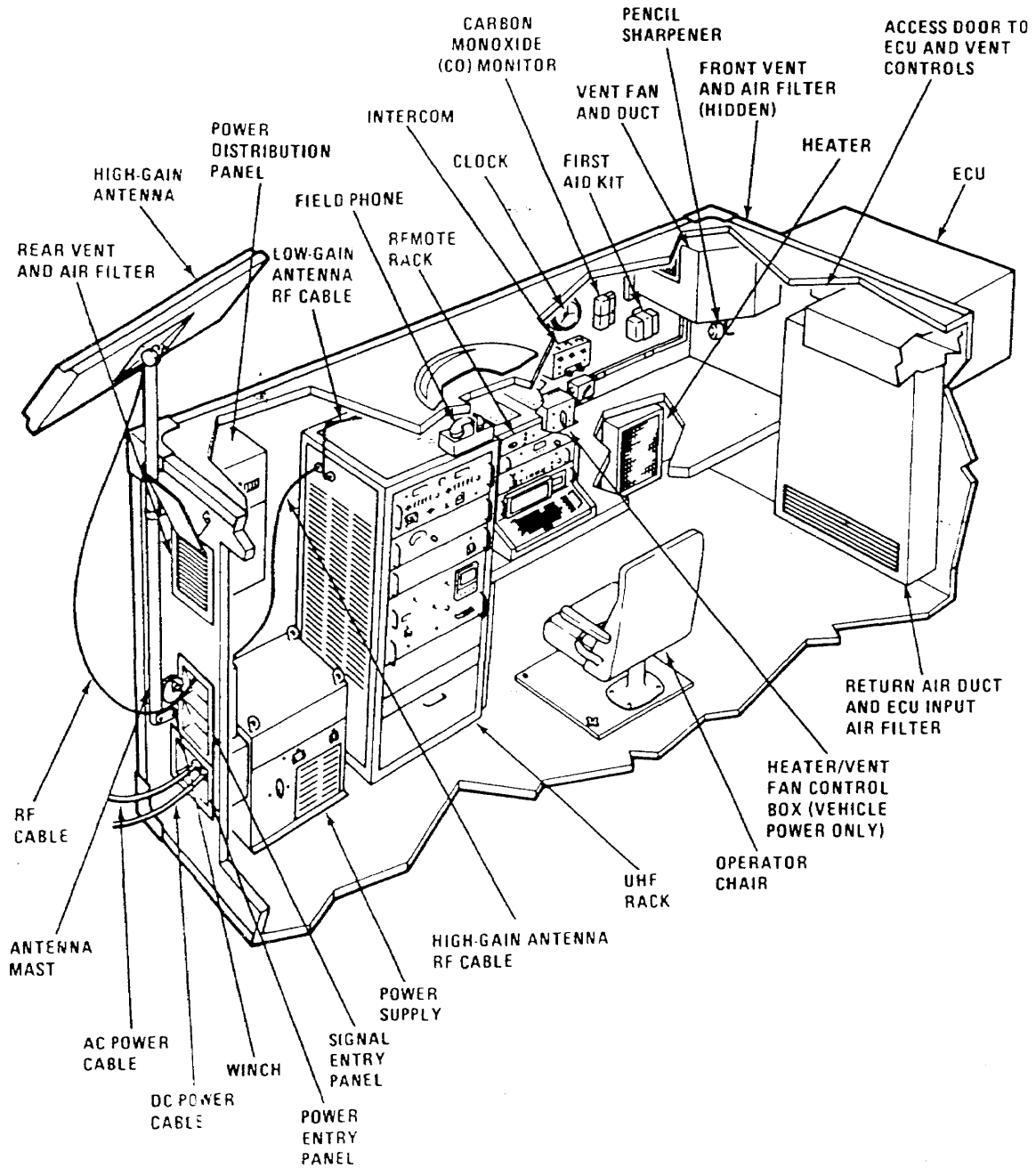
TYPICAL SCS NET CONFIGURATION

# SCS Functional Block Diagram



# AN/MSC-64(V) Satellite Communications Terminal

## Roadside



# AN/MS-64(V) Satellite Communications System

## Curbside

