

AN/GSC-40(V) and AN/MSC-64(V) Special Communications Systems

NSN: 5895-01-088-9270 (AN/GSC-40)
5895-01-146-3875 (AN/GSC-40A(V)1)
5895-01-146-3874 (AN/GSC-40A(V)2)
5895-01-112-5836 (AN/MSC-64(V)1)
5895-01-088-2769 (AN/MSC-64(V)2)
5895-01-112-5838 (AN/MSC-64(V)3)

Reference: TM 11-5895 -1104-10-1 (AN/MSC-64(V))
TM 11-5895 -1104-10-2 (AN/MSC-64(V))

General Information

The Special Communications System (SCS) is a UHF SATCOM system operated and maintained by the Army, Navy, and Air Force and consists of SATCOM Terminals AN/GSC-40, AN/GSC-40A(V) and AN/MSC-64(V). The terminals are normally deployed in a network configuration. The AN/GSC-40, AN/GSC-40A(V)1, and AN/GSC-40A(V)2 are CP terminals configured to provide the specific SCS network command and control functions and the means for disseminating highly specialized critical user information. The AN/MSC-64(V) is referred to as the mobile terminal since it predominately supports users requiring rapid redeployment.

Technical Characteristics

AN/GSC-40/40A(V):

Frequency Range	225 to 400 MHz
Security Device	one TSEC/KG-31 two TSEC/KG-34s three TSEC/KN-2s
Power Input	115/230 V AC, 50/60Hz
Power Output	100 W
Antenna	AN/GSC-40: two high-gain AS-3060/G AN/GSC-40A(V)1/2: four high-gain AS-3060/G

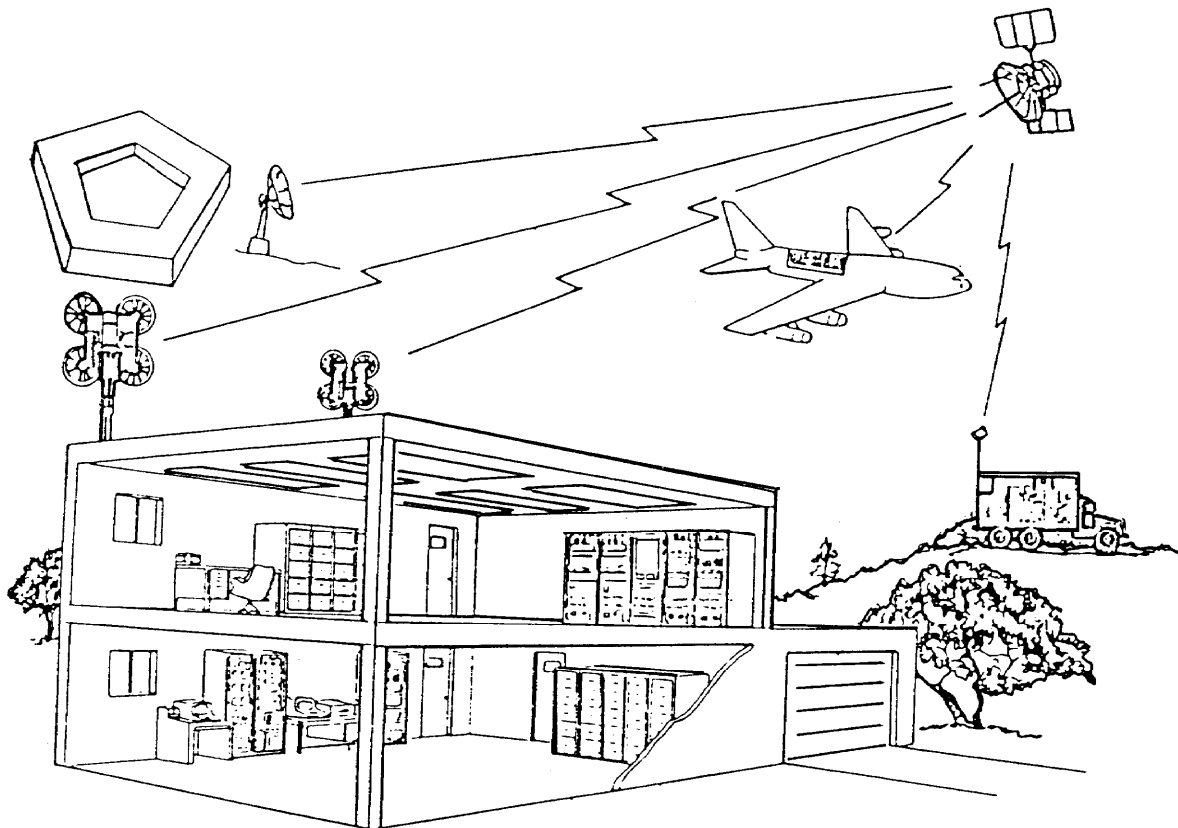
AN/MSC-64(V):

Type of Service	UHF half-duplex AFSAT mode (includes TDM 3, TDM 1/2, and random modes of operation)
Frequency Range	225 to 399.975 MHz
Number of Channels	7,000

Technical Characteristics (Cont.)

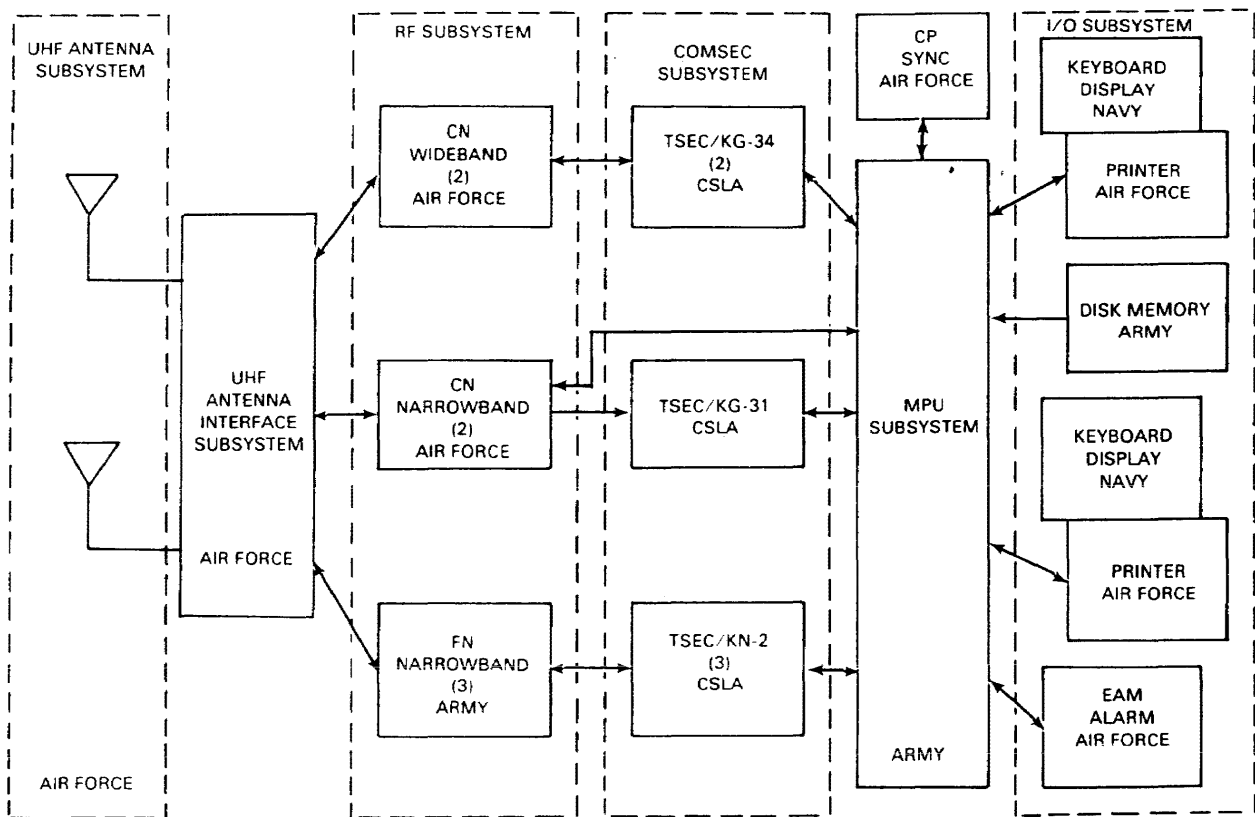
Security Device	TSEC/KN-2
Power Input	Mobile, 28 V DC at 100 amp; stationary, 115/230 V AC, 50/60 Hz at 10 kw
Power Output	10 to 100 W
Antenna	Low-gain AS-3439/G, omnidirectional high-gain AS-3438/G, directional
Weight	1,697 kg (3,738 lb) (approximately)

AN/GSC-40(V) Special Communications System



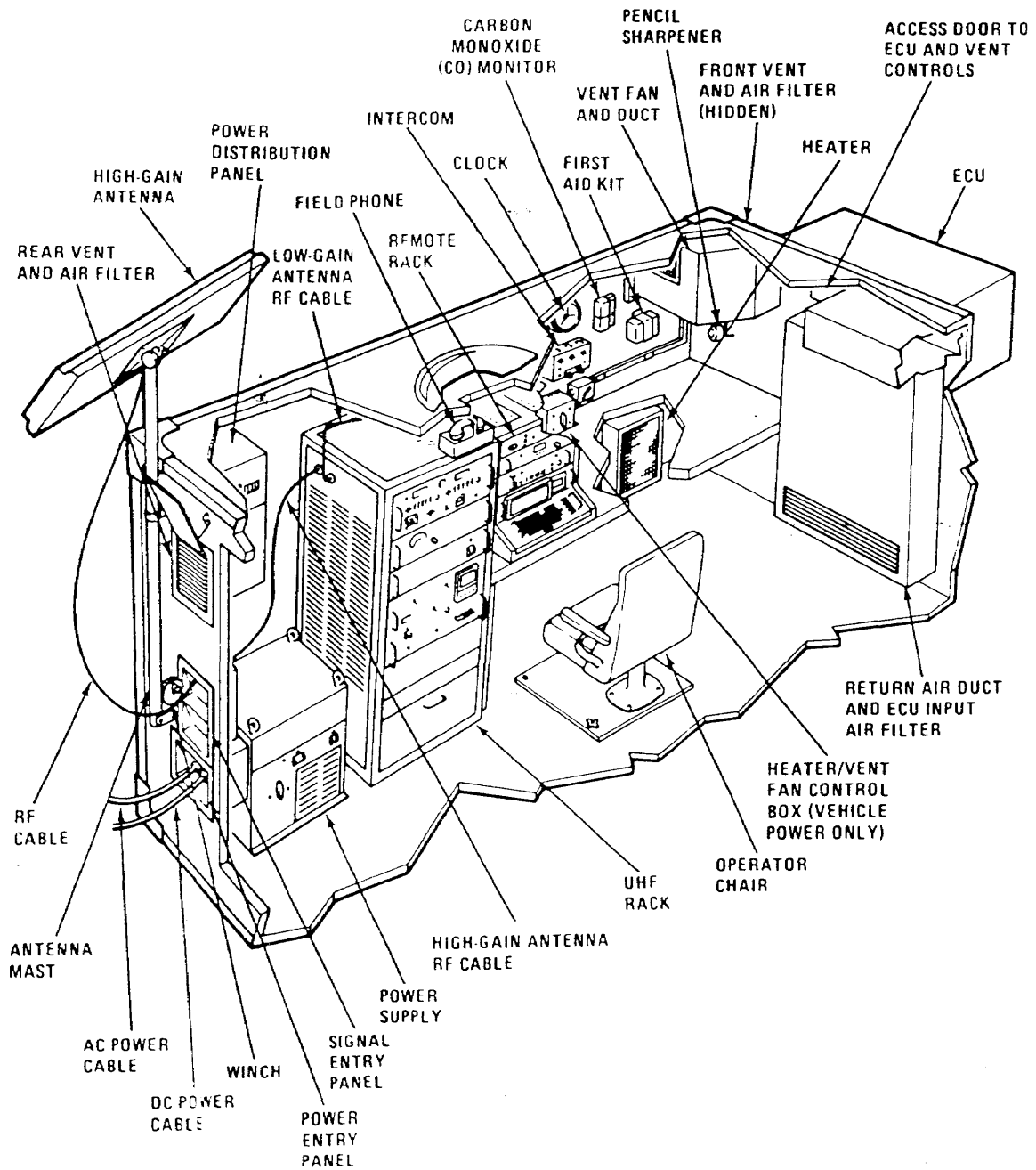
TYPICAL SCS NET CONFIGURATION

SCS Functional Block Diagram



AN/MSC-64(V) Satellite Communications Terminal

Roadside



AN/MS-64(V) Satellite Communications System

Curbside

